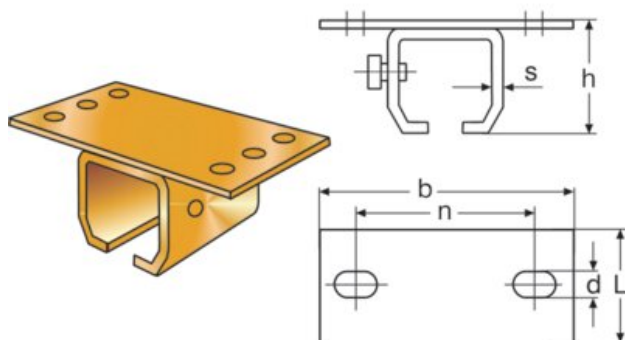


Ceiling fastener

Product information

REMA[®]



Part Code	GTIN No.	Model	B mm	D mm	H mm	L mm	N mm	S mm	Weight	Delivery time
R4007001	8717365018145	102	90	8	39	40	63+/-3,5	3	0.2	3
R4007003	8717365018152	302	115	11	50	55	80+/-4	4	0.35	3
R4007005	8717365018169	402	130	13	59	60	94+/-4	4,5	0.5	3