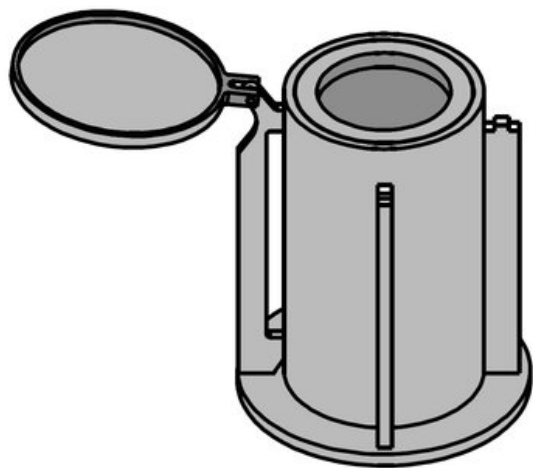


## Built-In Concrete Socket for Swivel Davit Crane, Zinc Plated



### Product information

Built-in concrete socket with zinc plating, suitable for all Swivel Davit cranes.

**Material:** Steel

**Finish:** Galvanized

Part Code	Weight kg	Delivery time
609777001845	6	10

# Blueprint

