

## Lifting Eye TAPG/TAPG-S



### Product information

The eyes can be loaded with working load limit in all directions. All the eyes are pivoted to avoid breakage in the eyes, which also make it possible to fold it aside when it is not used.

**Model TAPG:** Lifting D-Ring and Bridge - without Screws.

**Model TAPG-S:** Lifting D-ring, bridge and 2 screws 8.8 EN 24014 (DIN 931)

Attachment-point, bolt-on type, in working load limits of 3 - 8 t.

#### Features:

- Compact design
- Secured four times against breakage
- Working range 120°
- Bolt on plate also serves as marking stencil

The D-link must be able to move freely. The load take-up may not be supported on edges or on the sling point.

**Material:** Eye of alloy steel.

**Marking:** WLL.

**Note:** The surface that the lifting eyes shall be attached to shall be flat and tolerate the load it is going to be exposed to.

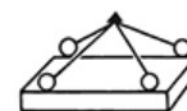
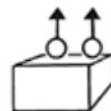
**Warning:** Only screws with a minimum strength class of 8.8 EN 24014 (DIN 931) may be used

**Safety factor:** 4:1

Part code	Code	WLL ton	Thread mm	Torque Nm	a mm	b mm	c mm	Ø d mm	e mm	f mm	g mm	h mm	l mm	Weight kg	Delivery time
42150380503200	TAPG 3	3.15	M20	210	12	56	50	18	34	130	90	21	51	1.08	30
42150380505200	TAPG 5	5.3	M24	290	15	67	60	22	42	160	110	25	63	2.04	30
42150380508200	TAPG 8	8	M27	550	20	80	70	26	55	190	130	28	67	3.58	30

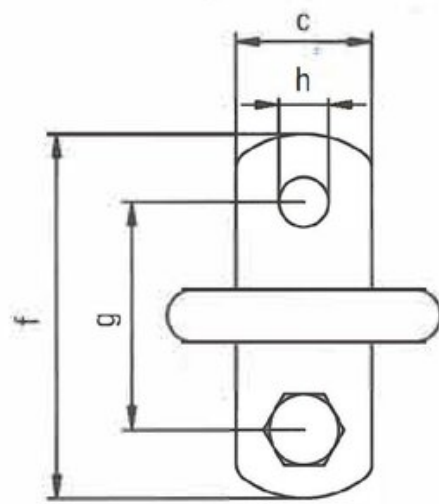
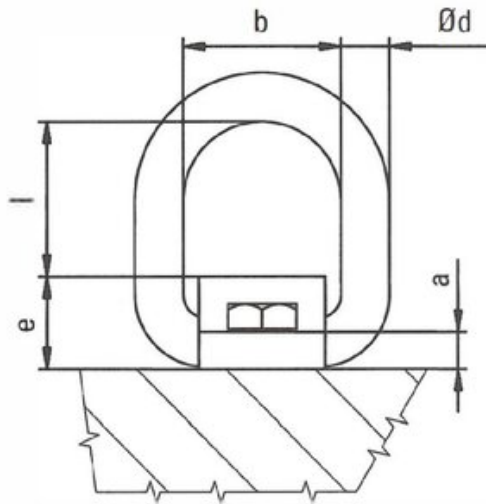
## Technical data

Kind of attachment



Number of pieces	1	2	2	2	3 o. 4	3 o. 4	3 o. 4
Inclination angle	0°	0°	0°	0°-45°	45°-60°	0°-45°	45°-60°
Code	t	t	t	t	t	t	t
TAPG-S / TAPG 3	3,15	4,75	9,5	4,25	3,15	6,3	4,75
TAPG-S / TAPG 5	5,3	8	16	7,1	5,3	11,2	8
TAPG-S / TAPG 8	8	12	24	11,2	8	16	12

# Blueprint



Anschlugart kind of attachment	1		2		3		3+4		3+4		Anschluß- moment tightening torque
	0°		0°		0°-45°		45°-60°		0°-45°		
Stück / number of pieces	1		2		2		2		3+4		
Nenngewinkel inclination angle	0°		0°		0°-45°		45°-60°		0°-45°		
Bezeichnung Code	Nominal W.L. mm W.L.	Working load limit W.L.	Working load limit W.L.	Working load limit W.L.	Working load limit W.L.	Working load limit W.L.	Working load limit W.L.	Working load limit W.L.	[mm]	[Nm]	
FMPG-β	3.15	4.75	9.5	4.25	3.15	6.7	4.75	M20		210	
FMPG-β	5.5	8	16	7.5	5.5	11.2	8	M24		290	
FMPG-α	8	12	24	11.2	8	17	13.8	M27		350	