

# USER MANUAL

# MOTORIZED GANTRY CRANE





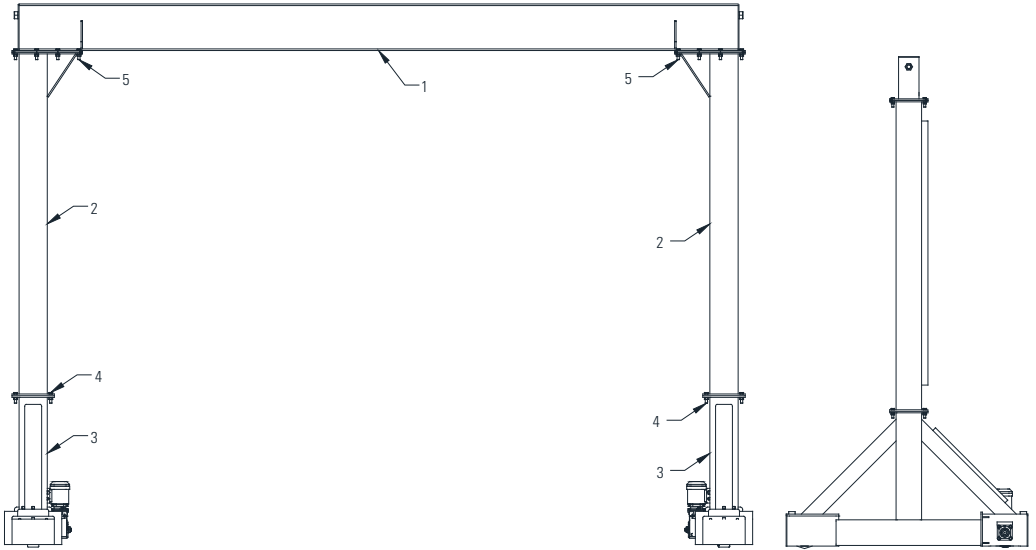
# INDEX

---

1. Drawing & assembly instructions .....	page 4
1.1. Gantry crane .....	page 4
1.2. Reel .....	page 5
1.3. Power supply line .....	page 6
1.4. Motorization .....	page 7
1.5. Electrical cubicle .....	page 8
2. Only for independant motorized gantry crane .....	page 9
3. What to do and what not to do .....	page 10
4. Test under load of the jib cranes and of the gantry cranes .....	page 12
5. Spare parts .....	page 14
6. Specifications .....	page 16

# 1. DRAWING & ASSEMBLY INSTRUCTIONS

## 1.1. Gantry crane



### GENERAL ASSEMBLY

1. If the feet of the gantry are dismantlable, assemble the tubes **2** to the end-carriage **3** with the provided bolts **4**.
2. Remove the bolts **5** mounted on the plates of the beam.
3. Lift the beam with an appropriate mean up to the height of the feet.
4. Raise up one of the feet **2** + **3** in vertical position and make the plates coincide, put the screws + nuts **5** then lock the plates against each other.
5. Repeat the same process with the second foot.

An another method consisting in putting the beam set on the floor and the feet laid on the side and then lift up the complete set. However the process of assembly will not be different.

Tightening torque of the bolts :

- M 10 : 3.5 daN.m
- M 12 : 6 daN.m
- M 14 : 9.6 daN.m
- M 16 : 14.6 daN.m
- M 18 : 20 daN.m

### USE

Use accordingly to the safe working load (swf) define by the technical sheet.

## Maintenance

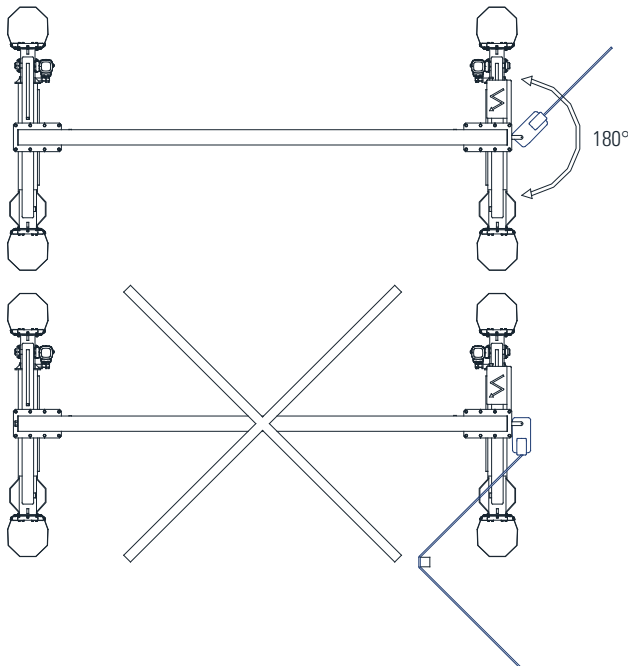
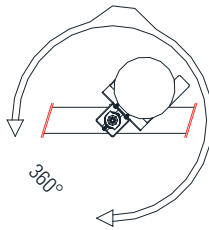
No special maintenance is required however following operation has to be done:

- Lubricate regularly the wheels shaft.
- Check once a year the correct tightening of the screws and generally the tightening of all mounting screws.
- Check the oil level of the motor and complete if necessary (see motor manual).

## Reminder

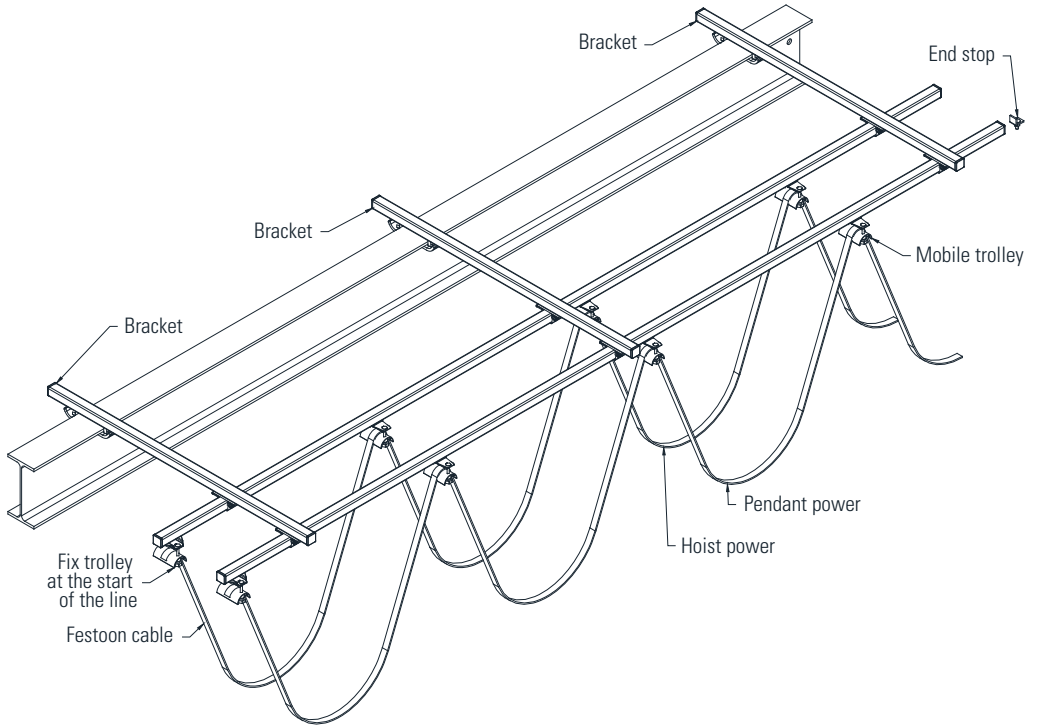
All lifting equipment devices must be validated by an official certificated organism before use.  
It is strictly forbidden to use such installation for people transportation usage.

### 1.2. Reel



Be careful not to tear or crush the general power cable.  
The cable must be in the axis of the reel.

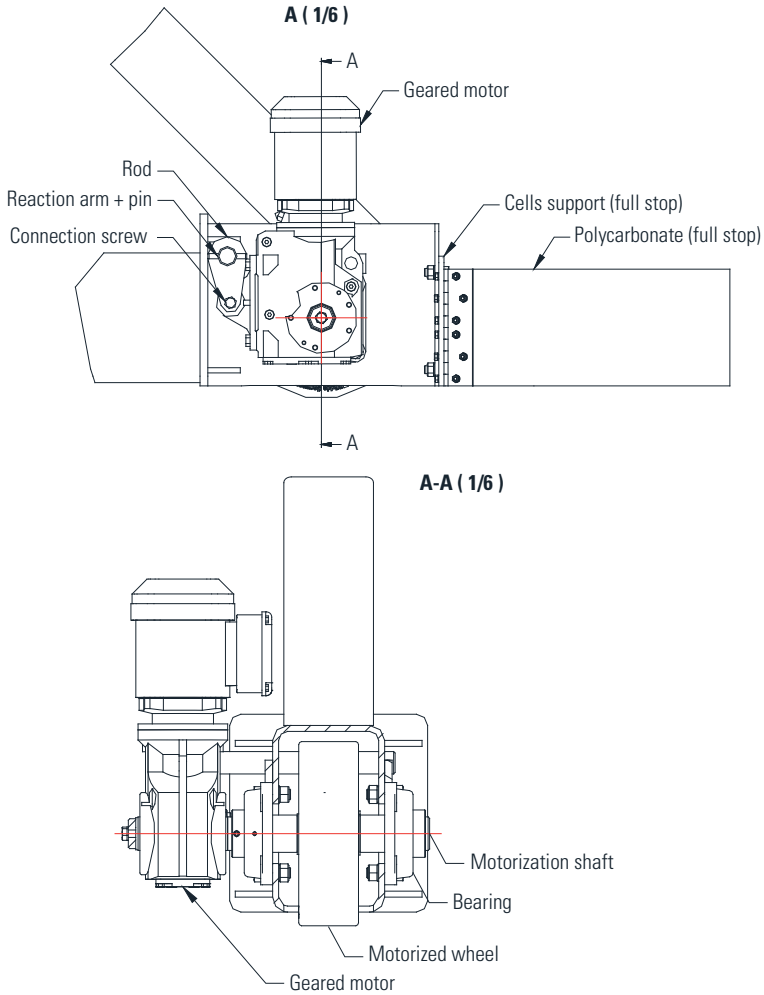
## 1.3. Power supply line



### **MOUNTING INSTRUCTIONS OF THE POWER SUPPLY LINE**

1. Set the 1<sup>st</sup> bracket according to the sketch.
2. Place the next bracket with a space of max 2m between each one.
3. When the brackets are locked, engage the rail of the line in each bracket and fix it
4. Insert first the fix trolley at the beginning of the line then the mobile trolley and finally the end stop.
5. Put the flat cable through the trolleys distributing them equally along the rail. Let 1m of cable at the end of the rail to lug in the hoist

## 1.4. Motorization

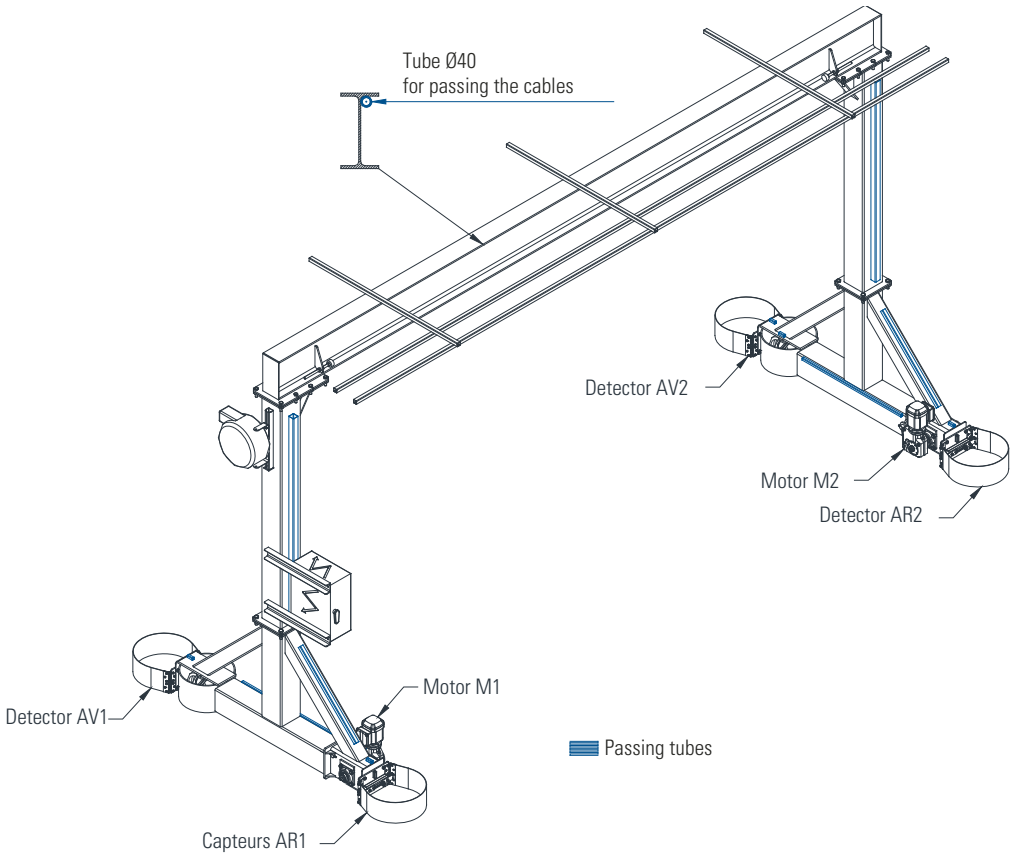


### Operating instructions for the motor

- The gantry should be used on a smooth, clean surface without any obstacle.
- Concerning the operation of the translation movement:
  - switch in central position: moving the gantry straight forward or backward, in low or high speed;
  - switch in right or left position: swiveling of the gantry on itself until the needed position (This movement can only be done on low speed). Return the switch to the central position for the straight motion.
- Be careful not to tear or crush the general power cable.
- Do not use the full stop switches permanently. This device is a safety device and must be used as such.
- Do not play improperly on the button box.
- Access to the electrical cubicle and maintenance of the gantry are reserved for authorized personnel.
- Do not use the gantry for purposes other than those for which it was designed.

## 1.5. Electrical cubicle

After assembling the gantry and its accessories, refer to the sketch below to pass the cables marked in the provided tubes.



### Note on the electrical connections of the gearmotors:

- 5-wire motor power cable :
  - Wires 1, 2 and 3 on terminals U, V and W of the motor terminal block.
  - Wires 4 and 5 on terminals 2 and 3 of the rectifier bridge (Black module - Leave the red wire on terminal 3).

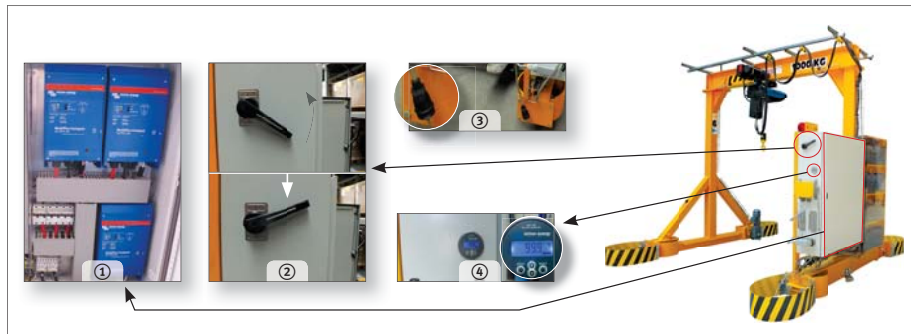


## 2. ONLY FOR INDEPENDANT PORTMOT



# WARNING !

PROCEDURE BELOW MUST BE FOLLOWED



### 1. AT FIRST COMMISSIONING

- OPEN THE MAIN CABINET. CHECK THAT THE 3 SWITCHES ARE IN « ON » POSITION ON THE 3 MULTIPLE PANELS. *PHOTO 1*
- TURN ON THE MAIN SIDE SWITCH IN POSITION I. *PHOTO 2*
- AFTER 10 SECONDS, THE 3 MULTIPLE PANELS ARE SYNCHRONIZING AND THE LIGHTS ARE « GREEN NOT FLASHING ». *PHOTO 1*
- THE 3 MULTIPLUS BOXES MUST REMAIN IN THIS POSITION DURING OPERATION (EXCEPT DURING TRANSPORT, POSITION 0) *PHOTO 1*
- THE GANTRY CRANE IS READY FOR USE.  
(SEE THE INSTRUCTIONS FOR RADIO CONTROL IF NEEDED).

### 2. CHARGE

- THE BATTERY CHARGE LEVEL IS INDICATED ON THE « VUMETER » (ON THE SIDE OF THE GENERAL BOX). *PHOTO 4*
- WHEN THE GANTRY CRANE IS NOT IN OPERATION, IT MUST BE CONNECTED TO THE POWER SUPPLY THROUGH THE 230 V SINGLE PHASE POWER SUPPLY UNDER THE GENERAL BOX. *PHOTO 3*
- **BELOW 50 % BATTERY LOAD, COMPULSORY CHARGING. *PHOTO 4***
- **THE GANTRY CRANE MUST NEVER WORK WHEN IS UNDER CHARGING.**

### 3. USE (LOAD LEVEL)

- FROM 100% TO 60%, NORMAL USE.
- AT 55% OF THE LOAD LEVEL, AN ALARM SIGNAL RINGS TO INDICATE TO THE USER TO CHARGE THE GANTRY CRANE (SEE ABOVE *CHARGE* CHAPTER 2). THE ALARM NOISE STOPS FROM 60% OF THE LOAD LEVEL.
- **BELOW 50 %, THE GANTRY CRANE STOPS (MANDATORY CHARGE).  
THE GANTRY CRANE CAN BE REUSED FROM 60 %.**

# 3. WHAT TO DO AND WHAT NOT TO DO

***It is very important to read these instructions carefully to enable you to install, use and maintain your equipment and reduce any risks caused by its incorrect use.***

***Any use that is not compliant with the following is dangerous and the manufacturer refuses to accept any liability in such cases.***

***Please comply with the instructions given below.***

## WHAT TO DO

### GENERALLY

- Read and follow the instructions given in the introduction manual carefully, starting from initial commissioning. During repair or maintenance, use only «standard parts».
- Always keep the instructions manual and the user instructions near the equipment, available to the operator and the person in charge of maintenance.

### TRANSPORT / STORAGE

- Handle the equipment and its structure either using the devices provided for the purpose or in the original package.
- Store the equipment away from any harsh environmental conditions (dust, damp...). It must be cleaned and protected from corrosion (lubrication...)

### INSTALLATION / MAINTENANCE / INTERVENTIONS

- Have trained people who are electrically and mechanically competent deal with installation.
- Require absolute compliance with the safety rules (harnesses, clearance around working areas, cordoning off the area...)
- Ensure that the equipment attaching structure is rigid.
- Neutralize any sources of electric power.
- Keep strictly to the installation instructions mentioned in the equipment instructions manual.
- Connect directly the power supply cable to the power supply terminal of the electrical unit :
  - the cable must be assembled in accordance with the manual, greased and run in by several maneuvers without a load,
  - the line must be assembled in accordance with the manual, oiled and run in by several maneuvers without a load.
- Set out an inspection program and record all the maintenance work carried out on the equipment, and more particularly: hooks, sheave assemblies, chains or cables, brakes and travel end switches.
- Replace any suspicious or worn parts.

### AFTER EXTENDED STOPPAGE OR DURING A CHECK :

- Check the operation and adjustment of the safety devices (brake, travel ends, limiters...) in accordance with the instruction manual.
- Regularly check the condition of the chain or cable and of the hooks.
- If a deformation or any wear is observed, replace the parts.
- Keep the cable clean and greased at all times.
- Check that all of the assembly components are tight.
- Check the condition of the lifting cable component wires.
- Check that the chains are not twisted and are free of any damage.
- Check that the steel cables strands supporting the pushbutton box fulfil their functions. The pushbutton box conductor cable is not a handling cable.

***It is very important to read these instructions carefully to enable you to install, use and maintain your equipment and reduce any risks caused by its incorrect use.***

***Any use that is not compliant with the following is dangerous and the manufacturer refuses to accept any liability in such cases.***

***Please comply with the instructions given below.***

## **WHAT NOT TO DO**

### **TRANSPORT / STORAGE**

- Never move or lift the equipment of using the electrical cables.
- Never put the hoist down without using a suitable support to avoid damage to the components on the underside.

### **INSTALLATION / MAINTENANCE / INTERVENTIONS**

- Never modify the equipment without suitable study and the authorization of the manufacturer.
- Never change the values and settings of the safety devices outside the limits provided for in the manual or without the agreement of the manufacturer.
- Never bypass isolating switches, electrical switches, prevention or limiting equipment.

### **IN USE**

- Never transport a load without keeping the personnel at a distance. Never have the book, loaded or empty, move above the personnel.
- Never let anybody unqualified use the equipment.
- Never lift a load exceeding the maximum operating load indicated on the equipment. Shock or accidental catching of the load being handled with the environment can generate overloads.
- Never remove the tab from the hook.
- Never block, adjust or remove switches or end of travel devices to go higher or lower than permitted by them.
- Never use the equipment to pull away, un-jam or pull sideways.
- Never use the equipment to transport people.
- Never touch any moving parts.
- Never use equipment that is in poor condition (wear, deformation...)
- Never use defective spare parts or whose origin is not fully known.
- Never swing the load intentionally.
- Do not cause abrupt movement so n the equipment.
- Never use the mechanical stops as a means of repetitive stoppage.
- Never use the lifting chain or cable as a sling.
- Never sling anything from the nose of the hook (risk of damage to hook and falling of load)
- Never use the hook when cantilevered.
- Never twist the loading chains. (turn-around of the sheave...).
- Never use the electric cables to move the equipment around.
- Never leave a load hanging.
- Never use the equipment as a ground reference for welding.
- Never use the equipment for any purpose or in any place for which it was designed.
- Never use the safety devices as a means of measuring the carried weight.
- Never use the controls pointlessly (avoid keying on them). This can cause overheating or even the deterioration of the equipment.
- Never pull a load cross-wise or bring the equipment vertically above the load before lifting it.
- Never use the equipment with an electric power supply that is different from the one recommended (under or over voltage, absence of a phase...)

## 4. TEST UNDER LOAD OF THE JIB CRANES AND OF THE GANTRY CRANES

*To ensure the good performance of the equipment, and in the absence of specific legislation, the following is recommended by the manufacturer in terms of dynamic and static load tests on standard devices.*

*Any other regulation, whether related to specific conditions of a country or a particular use should be specifications duly approved by the manufacturer.*

### DYNAMIC TESTS

For the dynamic tests will be added an overload of 10% at rated load, whether electric or manual lifting.

The tests are therefore performed on all movements (lifting, travelling, translation, rotation etc ...) It will not be necessary to lift the load to its maximum height but it is possible to do it and no time is imposed.

One move of each movement is necessary and sufficient.

#### **Interpretation of dynamic tests :**

During these tests the hoist + trolley must remain stable. Ensure no visible distortion too important.

Measure the height under beam or over beam empty before applying the load ( Load at the end of the arm if it is a jib crane or at the center if it is a gantry crane ) and remeasure under dynamic load.

Do the ratio to recalculate the measured deflection under dynamic load by dividing by 1.1 in order to interpret **Deflection under nominal load**, this deflection is directly proportional to the load.

#### **Only the deflection under nominal load is interpretable to the exclusion of any other!**

For pillar jib cranes, deflection observed (**interpreted under nominal load**) must not exceed  $1/100^{\text{th}}$  of the span and  $1/200^{\text{th}}$  of the sum Height + Span.

For wall jib cranes, deflection should not exceed  $1/200^{\text{th}}$  of the span (it will not take into account the possible deformation of the post which is supposedly of sufficient size and have been calculated by the user).

For gantry cranes, deflection should not exceed  $1/500^{\text{th}}$  of the span.

If the dynamic tests give satisfaction, there will be static tests.

***To ensure the good performance of the equipment, and in the absence of specific legislation, the following is recommended by the manufacturer in terms of dynamic and static load tests on standard devices.***

***Any other regulation, whether related to specific conditions of a country or a particular use should be specifications duly approved by the manufacturer.***

## STATIC TESTS

Static testing has for single purpose to ensure the strength of the assembly and verify the absence of permanent deformation or residual.

**No deflection measurement shall be interpreted during these tests if it is only to verify the absence of permanent deformation**

### **Requirements during the static tests :**

For static tests, it will be an overload applied **in more than 25% of the rated load**, whether it be a manual or electric lifting.

These tests will be performed only on the lifting arms of the bracket in the center position (end of the load arm in the case of jib crane and to the center of a gantry).

**It is forbidden to lift the load increased by 25% with the device** but additional weights are added to the dynamic load. In the case of a wall jib, the static test will be done in the sense that less strains the the building structure.

The duration of this test shall not exceed 30 min.

### **Interpretation of static tests:**

If after static tests, no permanent or residual deformation is found, the device can be operated.

As defined in the European Machinery Directive, any calculation notes will not be issued unless requested to ordering and duly accepted by Comege, as well as the detailed plans, schedules etc. .... which are the subject of the information folder and as such are confidential documents.

### **Concerning electric chain hoists:**

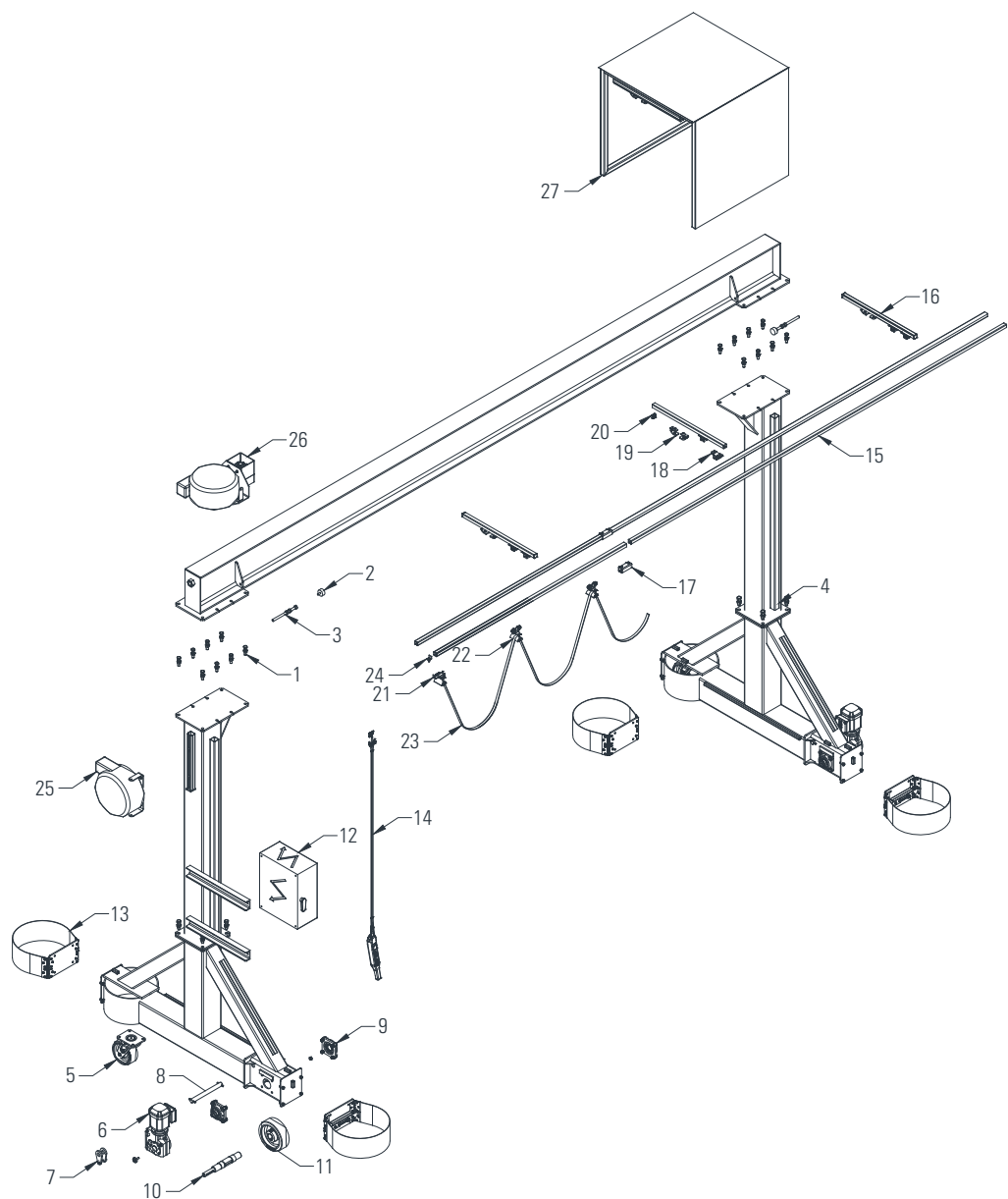
It is reminded that these devices are equipped with **torque limiters** and not **load limiters**.

Also for security reasons, their setting far exceeds the trigger threshold 110% of the rated load.

It is quite acceptable that the torque limiters can be «*calibrated*» to 125 or even 130% of rated load.

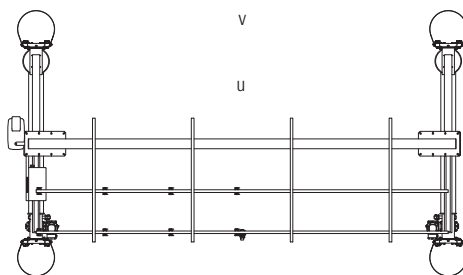
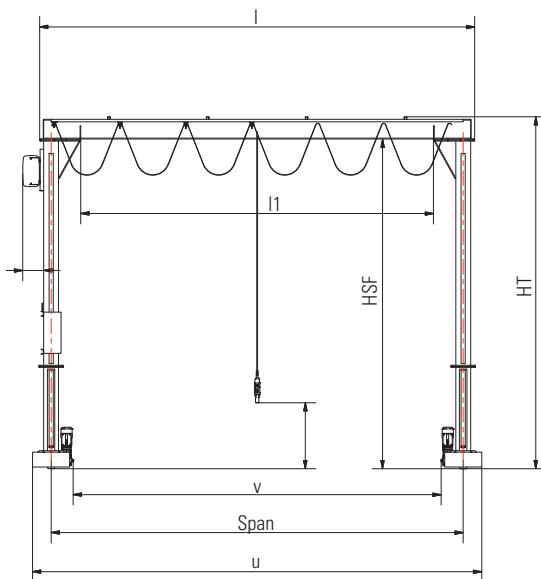
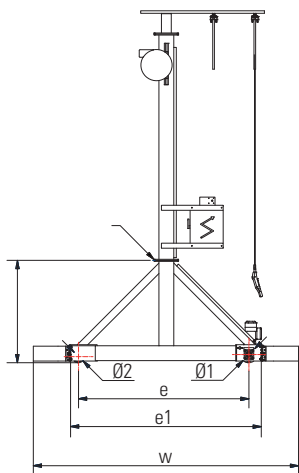
This measure aimed to anticipate wear slip friction system providing torque limit and prevent and to the risk of «*slippage*» of the load.

# 5. SPARE PARTS



<b>Repère</b>	<b>Designation</b>	
<b>1</b>	Screws set for assembly of the beam	Gantry crane
<b>2</b>	Rubber stop	
<b>3</b>	End stop M16	
<b>4</b>	Screws set for assembly of the dismantable foot	
<b>5</b>	Caster wheel	
<b>6</b>	Geared motor	Motorization
<b>7</b>	Rod	
<b>8</b>	Reaction arm	
<b>9</b>	Motor bearing	
<b>10</b>	Drive shaft	
<b>11</b>	Motorized wheel	Electrical equipment
<b>12</b>	Electrical cubicle	
<b>13</b>	Full stop	
<b>14</b>	Button box	
<b>15</b>	Power line rail	
<b>16</b>	Bracket	
<b>17</b>	Connector platejunction	
<b>18</b>	Hanger	
<b>19</b>	Clamp	
<b>20</b>	Plastic cap for rail	
<b>21</b>	Fix cable trolley	
<b>22</b>	Mobile cable trolley	
<b>23</b>	Cable	
<b>24</b>	End stop	Options
<b>25</b>	Reel	
<b>26</b>	Reel support 360°	
<b>27</b>	Hoist cover	

# 6. SPECIFICATIONS





SWF	Span	HSF	HT	I	II	e	eI	w	u	v	h1	i	Ø1	Ø2	Weight foot 1	Weight foot2	Weight beam	Weight	Wheel reaction	Engine power
Kg	m	mm	mm	mm	mm	mm	mm	mm	mm	mm	mm	mm	mm	mm	Kg	Kg	Kg	Kg		
	3	3	3,27	3220	2420	1500	1824	2724	3450	2460	110	200	160	163	188	110	462	610	0.25	
	3,5	3	3,27	3720	2920	1500	1824	2724	3950	2960	110	200	160	163	188	123	475	628	0.25	
	4	3	3,27	4220	3420	1500	1824	2724	4450	3460	110	200	160	163	188	136	488	643	0.25	
	4,5	3	3,29	4720	3920	1500	1824	2724	4950	3960	120	200	160	163	188	170	522	659	0.25	
	5	3	3,29	5220	4420	1500	1824	2724	5450	4460	120	200	160	163	188	185	537	670	0.25	
	5,5	3	3,29	5720	4920	1500	1824	2724	5950	4960	120	200	160	163	188	200	552	679	0.25	
	6	3	3,29	6220	5420	1500	1824	2724	6450	5460	120	200	160	163	188	216	568	688	0.25	
	6,5	3	3,32	6720	5920	1500	1824	2724	6950	5960	135	200	160	163	188	267	619	704	0.25	
	7	3	3,32	7220	6420	1500	1824	2724	7450	6460	135	200	160	163	188	285	637	711	0.25	
	7,5	3	3,32	7720	6920	1500	1824	2724	7950	6960	135	200	160	163	188	303	655	719	0.25	
	8	3	3,32	8220	7420	1500	1824	2724	8450	7460	135	200	160	163	188	321	673	726	0.25	
	8,5	3	3,38	8720	7920	1500	1824	2724	8950	7960	160	200	160	163	188	451	803	759	0.25	
	9	3	3,38	9220	8420	1500	1824	2724	9450	8460	160	200	160	163	188	476	828	767	0.25	
	9,5	3	3,38	9720	8920	1500	1824	2724	9950	8960	160	200	160	163	188	500	852	775	0.25	
	10	3	3,38	10220	9420	1500	1824	2724	10450	9460	160	200	160	163	188	525	877	783	0.25	
	3	3,5	3,77	3220	2420	1500	1824	2724	3450	2460	110	200	160	171	196	110	476	613	0.25	
	3,5	3,5	3,77	3720	2920	1500	1824	2724	3950	2960	110	200	160	171	196	123	489	631	0.25	
	4	3,5	3,77	4220	3420	1500	1824	2724	4450	3460	110	200	160	171	196	136	502	646	0.25	
	4,5	3,5	3,79	4720	3920	1500	1824	2724	4950	3960	120	200	160	171	196	170	536	662	0.25	
	5	3,5	3,79	5220	4420	1500	1824	2724	5450	4460	120	200	160	171	196	185	551	673	0.25	
	5,5	3,5	3,79	5720	4920	1500	1824	2724	5950	4960	120	200	160	171	196	200	567	682	0.25	
	6	3,5	3,79	6220	5420	1500	1824	2724	6450	5460	120	200	160	171	196	216	582	691	0.25	
	6,5	3,5	3,82	6720	5920	1500	1824	2724	6950	5960	135	200	160	171	196	267	633	707	0.25	
	7	3,5	3,82	7220	6420	1500	1824	2724	7450	6460	135	200	160	171	196	285	651	715	0.25	
	7,5	3,5	3,82	7720	6920	1500	1824	2724	7950	6960	135	200	160	171	196	303	669	722	0.25	
	8	3,5	3,82	8220	7420	1500	1824	2724	8450	7460	135	200	160	171	196	321	687	729	0.25	
	8,5	3,5	3,88	8720	7920	1500	1824	2724	8950	7960	160	200	160	171	196	451	817	763	0.25	
	9	3,5	3,88	9220	8420	1500	1824	2724	9450	8460	160	200	160	171	196	476	842	771	0.25	
	9,5	3,5	3,88	9720	8920	1500	1824	2724	9950	8960	160	200	160	171	196	500	866	779	0.25	
	10	3,5	3,88	10220	9420	1500	1824	2724	10450	9460	160	200	160	171	196	525	891	787	0.25	
	3	4	4,27	3220	2420	2000	2324	3224	3450	2460	110	200	160	190	215	110	515	622	0.25	
	3,5	4	4,27	3720	2920	2000	2324	3224	3950	2960	110	200	160	190	215	123	529	640	0.25	
	4	4	4,27	4220	3420	2000	2324	3224	4450	3460	110	200	160	190	215	136	542	655	0.25	
	4,5	4	4,29	4720	3920	2000	2324	3224	4950	3960	120	200	160	190	215	170	576	671	0.25	
	5	4	4,29	5220	4420	2000	2324	3224	5450	4460	120	200	160	190	215	185	591	682	0.25	
	5,5	4	4,29	5720	4920	2000	2324	3224	5950	4960	120	200	160	190	215	200	606	691	0.25	
	6	4	4,29	6220	5420	2000	2324	3224	6450	5460	120	200	160	190	215	216	622	700	0.25	
	6,5	4	4,32	6720	5920	2000	2324	3224	6950	5960	135	200	160	190	215	267	673	716	0.25	
	7	4	4,32	7220	6420	2000	2324	3224	7450	6460	135	200	160	190	215	285	691	724	0.25	
	7,5	4	4,32	7720	6920	2000	2324	3224	7950	6960	135	200	160	190	215	303	709	732	0.25	
	8	4	4,32	8220	7420	2000	2324	3224	8450	7460	135	200	160	190	215	321	727	739	0.25	
	8,5	4	4,38	8720	7920	2000	2324	3224	8950	7960	160	200	160	190	215	451	857	772	0.25	
	9	4	4,38	9220	8420	2000	2324	3224	9450	8460	160	200	160	190	215	476	882	780	0.25	
	9,5	4	4,38	9720	8920	2000	2324	3224	9950	8960	160	200	160	190	215	500	906	788	0.25	
	10	4	4,38	10220	9420	2000	2324	3224	10450	9460	160	200	160	190	215	525	931	796	0.25	
	3	4,5	4,77	3220	2420	2000	2324	3224	3450	2460	110	200	160	198	223	110	530	625	0.25	
	3,5	4,5	4,77	3720	2920	2000	2324	3224	3950	2960	110	200	160	198	223	123	543	643	0.25	
	4	4,5	4,77	4220	3420	2000	2324	3224	4450	3460	110	200	160	198	223	136	556	658	0.25	
	4,5	4,5	4,79	4720	3920	2000	2324	3224	4950	3960	120	200	160	198	223	170	590	674	0.25	
	5	4,5	4,79	5220	4420	2000	2324	3224	5450	4460	120	200	160	198	223	185	605	685	0.25	
	5,5	4,5	4,79	5720	4920	2000	2324	3224	5950	4960	120	200	160	198	223	200	620	695	0.25	
	6	4,5	4,79	6220	5420	2000	2324	3224	6450	5460	120	200	160	198	223	216	636	703	0.25	
	6,5	4,5	4,82	6720	5920	2000	2324	3224	6950	5960	135	200	160	198	223	267	687	719	0.25	
	7	4,5	4,82	7220	6420	2000	2324	3224	7450	6460	135	200	160	198	223	285	705	727	0.25	
	7,5	4,5	4,82	7720	6920	2000	2324	3224	7950	6960	135	200	160	198	223	303	723	735	0.25	
	8	4,5	4,82	8220	7420	2000	2324	3224	8450	7460	135	200	160	198	223	321	741	742	0.25	
	8,5	4,5	4,88	8720	7920	2000	2324	3224	8950	7960	160	200	160	198	223	451	871	775	0.25	
	9	4,5	4,88	9220	8420	2000	2324	3224	9450	8460	160	200	160	198	223	476	896	784	0.25	
	9,5	4,5	4,88	9720	8920	2000	2324	3224	9950	8960	160	200	160	198	223	500	920	792	0.25	
	10	4,5	4,88	10220	9420	2000	2324	3224	10450	9460	160	200	160	198	223	525	945	799	0.25	
	3	5	5,27	3250	2250	2500	2824	3724	3450	2460	110	200	160	282	307	126	714	642	0.25	
	3,5	5	5,27	3750	2750	2500	2824	3724	3950	2960	110	200	160	282	307	139	728	665	0.25	
	4	5	5,27	4250	3250	2500	2824	3724	4450	3460	110	200	160	282	307	153	741	682	0.25	
	4,5	5	5,29	4750	3750	2500	2824	3724	4950	3960	120	200	160	282	307	187	775	701	0.25	
	5	5	5,29	5250	4250	2500	2824	3724	5450	4460	120	200	160	282	307	202	790	714	0.25	
	5,5	5	5,29	5750	4750	2500	2824	3724	5950	4960	120	200	160	282	307	217	805	725	0.25	
	6	5	5,29	6250	5250	2500	2824	3724	6450	5460	120	200	160	282	307	233	821	735	0.25	
	6,5	5	5,32	6750	5750	2500	2824	3724	6950	5960	135	200	160	282	307	284	872	752	0.25	
	7	5	5,32	7250	6250	2500	2824	3724	7450	6460	135	200	160	282	307	302	890	761	0.25	
	7,5	5	5,32	7750	6750	2500	2824	3724	7950	6960	135	200	160	282	307	320	908	769	0.25	

SWF	Span	HSF	HT	l	l1	e	e1	w	u	v	h1	i	Ø 1	Ø 2	Weight foot 1	Weight foot 2	Weight beam	Weight	Wheel reaction	Engineer power	
Kg	m	mm	mm	mm	mm	mm	mm	mm	mm	mm	mm	mm	mm	mm	Kg	Kg	Kg	Kg			
1000	8	5	5,32	8250	7250	2500	2824	3724	8450	7460		135	200	160	282	307	338	926	777	0.25	
	8,5	5	5,38	8750	7750	2500	2824	3724	8950	7960		160	200	160	282	307	469	1057	811	0.25	
	9	5	5,38	9250	8250	2500	2824	3724	9450	8460		160	200	160	282	307	493	1081	820	0.25	
	9,5	5	5,38	9750	8750	2500	2824	3724	9950	8960		160	200	160	282	307	518	1106	828	0.25	
	10	5	5,38	10250	9250	2500	2824	3724	10450	9460		160	200	160	282	307	542	1130	836	0.25	
	3	5,5	5,77	3250	2250	2500	2824	3724	3450	2460	1622	110	200	160	293	318	126	737	647	0.25	
	3,5	5,5	5,77	3750	2750	2500	2824	3724	3950	2960	1622	110	200	160	293	318	139	750	669	0.25	
	4	5,5	5,77	4250	3250	2500	2824	3724	4450	3460	1622	110	200	160	293	318	153	763	687	0.25	
	4,5	5,5	5,79	4750	3750	2500	2824	3724	4950	3960	1622	120	200	160	293	318	167	797	706	0.25	
	5	5,5	5,79	5250	4250	2500	2824	3724	5450	4460	1622	120	200	160	293	318	202	812	719	0.25	
	5,5	5,5	5,79	5750	4750	2500	2824	3724	5950	4960	1622	120	200	160	293	318	217	828	730	0.25	
	6	5,5	5,79	6250	5250	2500	2824	3724	6450	5460	1622	120	200	160	293	318	233	843	740	0.25	
	6,5	5,5	5,82	6750	5750	2500	2824	3724	6950	5960	1622	135	200	160	293	318	284	894	757	0.25	
	7	5,5	5,82	7250	6250	2500	2824	3724	7450	6460	1622	135	200	160	293	318	302	912	766	0.25	
	7,5	5,5	5,82	7750	6750	2500	2824	3724	7950	6960	1622	135	200	160	293	318	320	930	774	0.25	
	8	5,5	5,82	8250	7250	2500	2824	3724	8450	7460	1622	135	200	160	293	318	338	948	782	0.25	
	8,5	5,5	5,88	8750	7750	2500	2824	3724	8950	7960	1622	160	200	160	293	318	469	1079	816	0.25	
	9	5,5	5,88	9250	8250	2500	2824	3724	9450	8460	1622	160	200	160	293	318	493	1103	825	0.25	
	9,5	5,5	5,88	9750	8750	2500	2824	3724	9950	8960	1622	160	200	160	293	318	518	1128	833	0.25	
	10	5,5	5,88	10250	9250	2500	2824	3724	10450	9460	1622	160	200	160	293	318	542	1153	842	0.25	
	3	6	6,27	3260	2260	3000	3324	4224	3450	2460	1867	110	200	160	333	358	127	818	665	0.25	
	3,5	6	6,27	3760	2760	3000	3324	4224	3950	2960	1867	110	200	160	333	358	140	831	688	0.25	
	4	6	6,27	4260	3260	3000	3324	4224	4450	3460	1867	110	200	160	333	358	153	844	706	0.25	
	4,5	6	6,29	4760	3760	3000	3324	4224	4950	3960	1867	120	200	160	333	358	187	878	725	0.25	
	5	6	6,29	5260	4260	3000	3324	4224	5450	4460	1867	120	200	160	333	358	202	894	738	0.25	
	5,5	6	6,29	5760	4760	3000	3324	4224	5950	4960	1867	120	200	160	333	358	218	909	749	0.25	
	6	6	6,29	6260	5260	3000	3324	4224	6450	5460	1867	120	200	160	333	358	233	925	759	0.25	
	6,5	6	6,32	6760	5760	3000	3324	4224	6950	5960	1867	135	200	160	333	358	284	976	776	0.25	
	7	6	6,32	7260	6260	3000	3324	4224	7450	6460	1867	135	200	160	333	358	302	994	785	0.25	
	7,5	6	6,32	7760	6760	3000	3324	4224	7950	6960	1867	135	200	160	333	358	320	1012	794	0.25	
	8	6	6,32	8260	7260	3000	3324	4224	8450	7460	1867	135	200	160	333	358	338	1030	802	0.25	
	8,5	6	6,38	8760	7760	3000	3324	4224	8950	7960	1867	160	200	160	333	358	469	1161	836	0.25	
	9	6	6,38	9260	8260	3000	3324	4224	9450	8460	1867	160	200	160	333	358	494	1185	845	0.25	
	9,5	6	6,38	9760	8760	3000	3324	4224	9950	8960	1867	160	200	160	333	358	518	1210	853	0.25	
	10	6	6,38	10260	9260	3000	3324	4224	10450	9460	1867	160	200	160	333	358	543	1234	861	0.25	
	1600	3	3	3,27	3220	2420	1500	1824	2724	3450	2460		110	200	160	163	188	110	462	918	0.25
		3,5	3	3,27	3720	2920	1500	1824	2724	3950	2960		110	200	160	163	188	123	475	943	0.25
		4	3	3,27	4220	3420	1500	1824	2724	4450	3460		110	200	160	163	188	136	488	963	0.25
		4,5	3	3,29	4720	3920	1500	1824	2724	4950	3960		120	200	160	163	188	170	522	984	0.25
		5	3	3,29	5220	4420	1500	1824	2724	5450	4460		120	200	160	163	188	185	537	998	0.25
5,5		3	3,29	5720	4920	1500	1824	2724	5950	4960		120	200	160	163	188	200	552	1010	0.25	
6		3	3,29	6220	5420	1500	1824	2724	6450	5460		120	200	160	163	188	216	568	1021	0.25	
6,5		3	3,32	6720	5920	1500	1824	2724	6950	5960		135	200	160	163	188	267	619	1039	0.25	
7		3	3,32	7220	6420	1500	1824	2724	7450	6460		135	200	160	163	188	285	637	1049	0.25	
7,5		3	3,32	7720	6920	1500	1824	2724	7950	6960		135	200	160	163	188	303	655	1058	0.25	
8		3	3,32	8220	7420	1500	1824	2724	8450	7460		135	200	160	163	188	321	673	1066	0.25	
8,5		3	3,38	8720	7920	1500	1824	2724	8950	7960		160	200	160	163	188	451	803	1101	0.25	
9		3	3,38	9220	8420	1500	1824	2724	9450	8460		160	200	160	163	188	476	828	1110	0.25	
9,5		3	3,38	9720	8920	1500	1824	2724	9950	8960		160	200	160	163	188	500	852	1119	0.25	
10		3	3,38	10220	9420	1500	1824	2724	10450	9460		160	200	160	163	188	525	877	1127	0.25	
3		3,5	3,77	3220	2420	1500	1824	2724	3450	2460		110	200	160	171	196	110	476	921	0.25	
3,5		3,5	3,77	3720	2920	1500	1824	2724	3950	2960		110	200	160	171	196	123	489	946	0.25	
4		3,5	3,77	4220	3420	1500	1824	2724	4450	3460		110	200	160	171	196	136	502	966	0.25	
4,5		3,5	3,79	4720	3920	1500	1824	2724	4950	3960		120	200	160	171	196	170	536	987	0.25	
5		3,5	3,79	5220	4420	1500	1824	2724	5450	4460		120	200	160	171	196	185	551	1001	0.25	
5,5		3,5	3,79	5720	4920	1500	1824	2724	5950	4960		120	200	160	171	196	200	567	1014	0.25	
6		3,5	3,79	6220	5420	1500	1824	2724	6450	5460		120	200	160	171	196	216	582	1024	0.25	
6,5		3,5	3,82	6720	5920	1500	1824	2724	6950	5960		135	200	160	171	196	267	633	1043	0.25	
7		3,5	3,82	7220	6420	1500	1824	2724	7450	6460		135	200	160	171	196	285	651	1052	0.25	
7,5		3,5	3,82	7720	6920	1500	1824	2724	7950	6960		135	200	160	171	196	303	669	1061	0.25	
8		3,5	3,82	8220	7420	1500	1824	2724	8450	7460		135	200	160	171	196	321	687	1070	0.25	
8,5		3,5	3,88	8720	7920	1500	1824	2724	8950	7960		160	200	160	171	196	451	817	1104	0.25	
9		3,5	3,88	9220	8420	1500	1824	2724	9450	8460		160	200	160	171	196	476	842	1113	0.25	
9,5		3,5	3,88	9720	8920	1500	1824	2724	9950	8960		160	200	160	171	196	500	866	1122	0.25	
10		3,5	3,88	10220	9420	1500	1824	2724	10450	9460		160	200	160	171	196	525	891	1131	0.25	
3	4	4,27	3220	2420	2000	2324	3224	3450	2460		110	200	160	190	215	110	515	929	0.25		
3,5	4	4,27	3720	2920	2000	2324	3224	3950	2960		110	200	160	190	215	123	529	959	0.25		
4	4	4,27	4220	3420	2000	2324	3224	4450	3460		110	200	160	190	215	136	542	975	0.25		
4,5	4	4,29	4720	3920	2000	2324	3224	4950	3960		120	200	160	190	215	170	576	996	0.25		
5	4	4,29	5220	4420	2000	2324	3224	5450	4460		120	200	160	190	215	185	591	1010	0.25		

SWF	Span	HSF	HT	I	II	e	eI	w	u	v	h1	i	Ø1	Ø2	Weight foot 1	Weight foot 2	Weight beam	Weight	Wheel reaction	Engine power
Kg	m	mm	mm	mm	mm	mm	mm	mm	mm	mm	mm	mm	mm	mm	Kg	Kg	Kg	Kg		
5,5	4	4,29	5720	4920	2000	2324	3224	5950	4960		120	200	160	190	215	200	606	1023		0,25
6	4	4,29	6220	5420	2000	2324	3224	6450	5460		120	200	160	190	215	216	622	1034		0,25
6,5	4	4,32	6720	5920	2000	2324	3224	6950	5960		135	200	160	190	215	267	673	1052		0,25
7	4	4,32	7220	6420	2000	2324	3224	7450	6460		135	200	160	190	215	285	691	1061		0,25
7,5	4	4,32	7720	6920	2000	2324	3224	7950	6960		135	200	160	190	215	303	709	1070		0,25
8	4	4,32	8220	7420	2000	2324	3224	8450	7460		135	200	160	190	215	321	727	1079		0,25
8,5	4	4,38	8720	7920	2000	2324	3224	8950	7960		160	200	160	190	215	451	857	1113		0,25
9	4	4,38	9220	8420	2000	2324	3224	9450	8460		160	200	160	190	215	476	882	1123		0,25
9,5	4	4,38	9720	8920	2000	2324	3224	9950	8960		160	200	160	190	215	500	906	1132		0,25
10	4	4,38	10220	9420	2000	2324	3224	10450	9460		160	200	160	190	215	525	931	1140		0,25
3	4,5	4,77	3220	2420	2000	2324	3224	3450	2460		110	200	160	198	223	110	530	932		0,25
3,5	4,5	4,77	3720	2920	2000	2324	3224	3950	2960		110	200	160	198	223	123	543	958		0,25
4	4,5	4,77	4220	3420	2000	2324	3224	4450	3460		110	200	160	198	223	136	556	978		0,25
4,5	4,5	4,79	4720	3920	2000	2324	3224	4950	3960		120	200	160	198	223	170	590	999		0,25
5	4,5	4,79	5220	4420	2000	2324	3224	5450	4460		120	200	160	198	223	185	605	1013		0,25
5,5	4,5	4,79	5720	4920	2000	2324	3224	5950	4960		120	200	160	198	223	200	620	1026		0,25
6	4,5	4,79	6220	5420	2000	2324	3224	6450	5460		120	200	160	198	223	216	636	1037		0,25
6,5	4,5	4,82	6720	5920	2000	2324	3224	6950	5960		135	200	160	198	223	267	687	1055		0,25
7	4,5	4,82	7220	6420	2000	2324	3224	7450	6460		135	200	160	198	223	285	705	1065		0,25
7,5	4,5	4,82	7720	6920	2000	2324	3224	7950	6960		135	200	160	198	223	303	723	1074		0,25
8	4,5	4,82	8220	7420	2000	2324	3224	8450	7460		135	200	160	198	223	321	741	1082		0,25
8,5	4,5	4,88	8720	7920	2000	2324	3224	8950	7960		160	200	160	198	223	451	871	1117		0,25
9	4,5	4,88	9220	8420	2000	2324	3224	9450	8460		160	200	160	198	223	476	896	1126		0,25
9,5	4,5	4,88	9720	8920	2000	2324	3224	9950	8960		160	200	160	198	223	500	920	1135		0,25
10	4,5	4,88	10220	9420	2000	2324	3224	10450	9460		160	200	160	198	223	525	945	1144		0,25
3	5	5,27	3250	2250	2500	2824	3724	3450	2460		110	200	160	282	307	126	714	939		0,25
3,5	5	5,27	3750	2750	2500	2824	3724	3950	2960		110	200	160	282	307	139	728	971		0,25
4	5	5,27	4250	3250	2500	2824	3724	4450	3460		110	200	160	282	307	153	741	995		0,25
4,5	5	5,29	4750	3750	2500	2824	3724	4950	3960		120	200	160	282	307	187	775	1019		0,25
5	5	5,29	5250	4250	2500	2824	3724	5450	4460		120	200	160	282	307	202	790	1036		0,25
5,5	5	5,29	5750	4750	2500	2824	3724	5950	4960		120	200	160	282	307	217	805	1050		0,25
6	5	5,29	6250	5250	2500	2824	3724	6450	5460		120	200	160	282	307	233	821	1063		0,25
6,5	5	5,32	6750	5750	2500	2824	3724	6950	5960		135	200	160	282	307	284	872	1083		0,25
7	5	5,32	7250	6250	2500	2824	3724	7450	6460		135	200	160	282	307	302	890	1094		0,25
7,5	5	5,32	7750	6750	2500	2824	3724	7950	6960		135	200	160	282	307	320	908	1104		0,25
8	5	5,32	8250	7250	2500	2824	3724	8450	7460		135	200	160	282	307	338	926	1113		0,25
8,5	5	5,38	8750	7750	2500	2824	3724	8950	7960		160	200	160	282	307	469	1057	1149		0,25
9	5	5,38	9250	8250	2500	2824	3724	9450	8460		160	200	160	282	307	493	1081	1159		0,25
9,5	5	5,38	9750	8750	2500	2824	3724	9950	8960		160	200	160	282	307	518	1106	1168		0,25
10	5	5,38	10250	9250	2500	2824	3724	10450	9460		160	200	160	282	307	542	1130	1177		0,25
3	5,5	5,77	3250	2250	2500	2824	3724	3450	2460	1622	110	200	160	293	318	126	737	944		0,25
3,5	5,5	5,77	3750	2750	2500	2824	3724	3950	2960	1622	110	200	160	293	318	139	750	975		0,25
4	5,5	5,77	4250	3250	2500	2824	3724	4450	3460	1622	110	200	160	293	318	153	763	1000		0,25
4,5	5,5	5,79	4750	3750	2500	2824	3724	4950	3960	1622	120	200	160	293	318	187	797	1024		0,25
5	5,5	5,79	5250	4250	2500	2824	3724	5450	4460	1622	120	200	160	293	318	202	812	1041		0,25
5,5	5,5	5,79	5750	4750	2500	2824	3724	5950	4960	1622	120	200	160	293	318	217	828	1056		0,25
6	5,5	5,79	6250	5250	2500	2824	3724	6450	5460	1622	120	200	160	293	318	233	843	1068		0,25
6,5	5,5	5,82	6750	5750	2500	2824	3724	6950	5960	1622	135	200	160	293	318	284	894	1088		0,25
7	5,5	5,82	7250	6250	2500	2824	3724	7450	6460	1622	135	200	160	293	318	302	912	1099		0,25
7,5	5,5	5,82	7750	6750	2500	2824	3724	7950	6960	1622	135	200	160	293	318	320	930	1109		0,25
8	5,5	5,82	8250	7250	2500	2824	3724	8450	7460	1622	135	200	160	293	318	338	948	1119		0,25
8,5	5,5	5,88	8750	7750	2500	2824	3724	8950	7960	1622	160	200	160	293	318	469	1079	1154		0,25
9	5,5	5,88	9250	8250	2500	2824	3724	9450	8460	1622	160	200	160	293	318	493	1103	1164		0,25
9,5	5,5	5,88	9750	8750	2500	2824	3724	9950	8960	1622	160	200	160	293	318	518	1128	1173		0,25
10	5,5	5,88	10250	9250	2500	2824	3724	10450	9460	1622	160	200	160	293	318	542	1153	1183		0,25
3	6	6,27	3260	2260	3000	3324	4224	3450	2460	1867	110	200	160	333	358	127	818	963		0,25
3,5	6	6,27	3760	2760	3000	3324	4224	3950	2960	1867	110	200	160	333	358	140	831	994		0,25
4	6	6,27	4260	3260	3000	3324	4224	4450	3460	1867	110	200	160	333	358	153	844	1019		0,25
4,5	6	6,29	4760	3760	3000	3324	4224	4950	3960	1867	120	200	160	333	358	187	878	1043		0,25
5	6	6,29	5260	4260	3000	3324	4224	5450	4460	1867	120	200	160	333	358	202	894	1060		0,25
5,5	6	6,29	5760	4760	3000	3324	4224	5950	4960	1867	120	200	160	333	358	218	909	1075		0,25
6	6	6,29	6260	5260	3000	3324	4224	6450	5460	1867	120	200	160	333	358	233	925	1088		0,25
6,5	6	6,32	6760	5760	3000	3324	4224	6950	5960	1867	135	200	160	333	358	284	976	1108		0,25
7	6	6,32	7260	6260	3000	3324	4224	7450	6460	1867	135	200	160	333	358	302	994	1119		0,25
7,5	6	6,32	7760	6760	3000	3324	4224	7950	6960	1867	135	200	160	333	358	320	1012	1129		0,25
8	6	6,32	8260	7260	3000	3324	4224	8450	7460	1867	135	200	160	333	358	338	1030	1138		0,25
8,5	6	6,38	8760	7760	3000	3324	4224	8950	7960	1867	160	200	160	333	358	469	1161	1174		0,25
9	6	6,38	9260	8260	3000	3324	4224	9450	8460	1867	160	200	160	333	358	494	1185	1184		0,25
9,5	6	6,38	9760	8760	3000	3324	4224	9950	8960	1867	160	200	160							

SWF	Span	HSF	HT	l	ll	e	e1	w	u	v	h1	i	Ø1	Ø2	Weight foot 1	Weight foot 2	Weight beam	Weight	Wheel reaction	Engineer power
Kg	m	mm	mm	mm	mm	mm	mm	mm	mm	mm	mm	mm	mm	mm	Kg	Kg	Kg	Kg		
3	3	3.29	3250	2250	1500	1824	2724	3450	2460		120	200	154	214	239	141	594	1112	0.37	
3.5	3	3.29	3750	2750	1500	1824	2724	3950	2960		120	200	154	214	239	156	609	1149	0.37	
4	3	3.29	4250	3250	1500	1824	2724	4450	3460		120	200	154	214	239	171	624	1178	0.37	
4.5	3	3.32	4750	3750	1500	1824	2724	4950	3960		135	200	154	214	239	212	665	1207	0.37	
5	3	3.32	5250	4250	1500	1824	2724	5450	4460		135	200	154	214	239	230	683	1227	0.37	
5.5	3	3.32	5750	4750	1500	1824	2724	5950	4960		135	200	154	214	239	248	701	1244	0.37	
6	3	3.35	6250	5250	1500	1824	2724	6450	5460		150	200	154	214	239	303	756	1268	0.37	
6.5	3	3.35	6750	5750	1500	1824	2724	6950	5960		150	200	154	214	239	324	777	1282	0.37	
7	3	3.35	7250	6250	1500	1824	2724	7450	6460		150	200	154	214	239	346	799	1295	0.37	
7.5	3	3.35	7750	6750	1500	1824	2724	7950	6960		150	200	154	214	239	367	820	1307	0.37	
8	3	3.35	8250	7250	1500	1824	2724	8450	7460		150	200	154	214	239	388	841	1318	0.37	
8.5	3	3.41	8750	7750	1500	1824	2724	8950	7960		170	200	154	214	239	538	991	1358	0.37	
9	3	3.41	9250	8250	1500	1824	2724	9450	8460		170	200	154	214	239	566	1019	1370	0.37	
9.5	3	3.41	9750	8750	1500	1824	2724	9950	8960		170	200	154	214	239	595	1048	1381	0.37	
10	3	3.41	10250	9250	1500	1824	2724	10450	9460		170	200	154	214	239	623	1076	1392	0.37	
3	3.5	3.79	3250	2250	1500	1824	2724	3450	2460		120	200	154	225	250	141	616	1117	0.37	
3.5	3.5	3.79	3750	2750	1500	1824	2724	3950	2960		120	200	154	225	250	156	631	1154	0.37	
4	3.5	3.79	4250	3250	1500	1824	2724	4450	3460		120	200	154	225	250	171	647	1183	0.37	
4.5	3.5	3.82	4750	3750	1500	1824	2724	4950	3960		135	200	154	225	250	212	687	1212	0.37	
5	3.5	3.82	5250	4250	1500	1824	2724	5450	4460		135	200	154	225	250	230	705	1232	0.37	
5.5	3.5	3.82	5750	4750	1500	1824	2724	5950	4960		135	200	154	225	250	248	723	1249	0.37	
6	3.5	3.85	6250	5250	1500	1824	2724	6450	5460		150	200	154	225	250	303	779	1273	0.37	
6.5	3.5	3.85	6750	5750	1500	1824	2724	6950	5960		150	200	154	225	250	324	800	1287	0.37	
7	3.5	3.85	7250	6250	1500	1824	2724	7450	6460		150	200	154	225	250	346	821	1300	0.37	
7.5	3.5	3.85	7750	6750	1500	1824	2724	7950	6960		150	200	154	225	250	367	842	1312	0.37	
8	3.5	3.85	8250	7250	1500	1824	2724	8450	7460		150	200	154	225	250	388	863	1323	0.37	
8.5	3.5	3.91	8750	7750	1500	1824	2724	8950	7960		170	200	154	225	250	538	1013	1364	0.37	
9	3.5	3.91	9250	8250	1500	1824	2724	9450	8460		170	200	154	225	250	566	1042	1375	0.37	
9.5	3.5	3.91	9750	8750	1500	1824	2724	9950	8960		170	200	154	225	250	595	1070	1386	0.37	
10	3.5	3.91	10250	9250	1500	1824	2724	10450	9460		170	200	154	225	250	623	1099	1397	0.37	
3	4	4.29	3250	2250	2000	2324	3224	3450	2460		120	200	154	253	278	141	672	1129	0.37	
3.5	4	4.29	3750	2750	2000	2324	3224	3950	2960		120	200	154	253	278	156	687	1166	0.37	
4	4	4.29	4250	3250	2000	2324	3224	4450	3460		120	200	154	253	278	171	702	1195	0.37	
4.5	4	4.32	4750	3750	2000	2324	3224	4950	3960		135	200	154	253	278	212	743	1224	0.37	
5	4	4.32	5250	4250	2000	2324	3224	5450	4460		135	200	154	253	278	230	761	1244	0.37	
5.5	4	4.32	5750	4750	2000	2324	3224	5950	4960		135	200	154	253	278	248	779	1262	0.37	
6	4	4.35	6250	5250	2000	2324	3224	6450	5460		150	200	154	253	278	303	835	1285	0.37	
6.5	4	4.35	6750	5750	2000	2324	3224	6950	5960		150	200	154	253	278	324	856	1300	0.37	
7	4	4.35	7250	6250	2000	2324	3224	7450	6460		150	200	154	253	278	346	877	1313	0.37	
7.5	4	4.35	7750	6750	2000	2324	3224	7950	6960		150	200	154	253	278	367	898	1325	0.37	
8	4	4.35	8250	7250	2000	2324	3224	8450	7460		150	200	154	253	278	388	919	1336	0.37	
8.5	4	4.41	8750	7750	2000	2324	3224	8950	7960		170	200	154	253	278	538	1069	1377	0.37	
9	4	4.41	9250	8250	2000	2324	3224	9450	8460		170	200	154	253	278	566	1098	1388	0.37	
9.5	4	4.41	9750	8750	2000	2324	3224	9950	8960		170	200	154	253	278	595	1126	1400	0.37	
10	4	4.41	10250	9250	2000	2324	3224	10450	9460		170	200	154	253	278	623	1155	1411	0.37	
3	4.5	4.79	3280	2280	2000	2324	3224	3450	2460		120	200	154	292	317	141	751	1152	0.37	
3.5	4.5	4.79	3780	2780	2000	2324	3224	3950	2960		120	200	154	292	317	157	766	1189	0.37	
4	4.5	4.79	4280	3280	2000	2324	3224	4450	3460		120	200	154	292	317	172	781	1217	0.37	
4.5	4.5	4.82	4780	3780	2000	2324	3224	4950	3960		135	200	154	292	317	213	822	1246	0.37	
5	4.5	4.82	5280	4280	2000	2324	3224	5450	4460		135	200	154	292	317	231	840	1266	0.37	
5.5	4.5	4.82	5780	4780	2000	2324	3224	5950	4960		135	200	154	292	317	249	858	1283	0.37	
6	4.5	4.85	6280	5280	2000	2324	3224	6450	5460		150	200	154	292	317	305	914	1307	0.37	
6.5	4.5	4.85	6780	5780	2000	2324	3224	6950	5960		150	200	154	292	317	326	935	1321	0.37	
7	4.5	4.85	7280	6280	2000	2324	3224	7450	6460		150	200	154	292	317	347	956	1334	0.37	
7.5	4.5	4.85	7780	6780	2000	2324	3224	7950	6960		150	200	154	292	317	368	977	1346	0.37	
8	4.5	4.85	8280	7280	2000	2324	3224	8450	7460		150	200	154	292	317	389	998	1357	0.37	
8.5	4.5	4.91	8780	7780	2000	2324	3224	8950	7960		170	200	154	292	317	539	1149	1398	0.37	
9	4.5	4.91	9280	8280	2000	2324	3224	9450	8460		170	200	154	292	317	568	1177	1410	0.37	
9.5	4.5	4.91	9780	8780	2000	2324	3224	9950	8960		170	200	154	292	317	597	1206	1421	0.37	
10	4.5	4.91	10280	9280	2000	2324	3224	10450	9460		170	200	154	292	317	625	1234	1432	0.37	
3	5	5.29	3280	2280	2500	2824	3724	3450	2460		120	200	154	325	350	141	816	1165	0.37	
3.5	5	5.29	3780	2780	2500	2824	3724	3950	2960		120	200	154	325	350	157	831	1203	0.37	
4	5	5.29	4280	3280	2500	2824	3724	4450	3460		120	200	154	325	350	172	847	1232	0.37	
4.5	5	5.32	4780	3780	2500	2824	3724	4950	3960		135	200	154	325	350	213	887	1261	0.37	
5	5	5.32	5280	4280	2500	2824	3724	5450	4460		135	200	154	325	350	231	905	1281	0.37	
5.5	5	5.32	5780	4780	2500	2824	3724	5950	4960		135	200	154	325	350	249	923	1298	0.37	
6	5	5.35	6280	5280	2500	2824	3724	6450	5460		150	200	154	325	350	305	979	1322	0.37	
6.5	5	5.35	6780	5780	2500	2824	3724	6950	5960		150	200	154	325	350	326	1000	1336	0.37	
7	5	5.35	7280	6280	2500	2824	3724	7450	6460		150	200	154	325	350	347	1021	1349	0.37	

2000

SWF	Span	HSF	HT	I	II	e	eI	w	u	v	h1	i	Ø1	Ø2	Weight foot 1	Weight foot 2	Weight beam	Weight	Wheel reaction	Engine power	
Kg	m	mm	mm	mm	mm	mm	mm	mm	mm	mm	mm	mm	mm	mm	Kg	Kg	Kg	Kg			
2000	7,5	5	5,35	7780	6780	2500	2824	3724	7950	6960		150	200	154	325	350	368	1043	1361	0,37	
	8	5	5,35	8280	7280	2500	2824	3724	8450	7460		150	200	154	325	350	389	1064	1372	0,37	
	8,5	5	5,41	8780	7780	2500	2824	3724	8950	7960		170	200	154	325	350	539	1214	1413	0,37	
	9	5	5,41	9280	8280	2500	2824	3724	9450	8460		170	200	154	325	350	568	1243	1425	0,37	
	9,5	5	5,41	9780	8780	2500	2824	3724	9950	8960		170	200	154	325	350	597	1271	1436	0,37	
	10	5	5,41	10280	9280	2500	2824	3724	10450	9460		170	200	154	325	350	625	1300	1447	0,37	
	3	5,5	5,79	3280	2280	2500	2824	3724	3450	2460	1627	120	200	154	338	363	141	843	1171	0,37	
	3,5	5,5	5,79	3780	2780	2500	2824	3724	3950	2960	1627	120	200	154	338	363	157	858	1208	0,37	
	4	5,5	5,79	4280	3280	2500	2824	3724	4450	3460	1627	120	200	154	338	363	172	874	1238	0,37	
	4,5	5,5	5,82	4780	3780	2500	2824	3724	4950	3960	1627	135	200	154	338	363	213	914	1267	0,37	
	5	5,5	5,82	5280	4280	2500	2824	3724	5450	4460	1627	135	200	154	338	363	231	932	1287	0,37	
	5,5	5,5	5,82	5780	4780	2500	2824	3724	5950	4960	1627	135	200	154	338	363	249	950	1304	0,37	
	6	5,5	5,85	6280	5280	2500	2824	3724	6450	5460	1627	150	200	154	338	363	305	1006	1328	0,37	
	6,5	5,5	5,85	6780	5780	2500	2824	3724	6950	5960	1627	150	200	154	338	363	326	1027	1343	0,37	
	7	5,5	5,85	7280	6280	2500	2824	3724	7450	6460	1627	150	200	154	338	363	347	1048	1356	0,37	
	7,5	5,5	5,85	7780	6780	2500	2824	3724	7950	6960	1627	150	200	154	338	363	368	1070	1368	0,37	
	8	5,5	5,85	8280	7280	2500	2824	3724	8450	7460	1627	150	200	154	338	363	389	1091	1379	0,37	
	8,5	5,5	5,91	8780	7780	2500	2824	3724	8950	7960	1627	170	200	154	338	363	539	1241	1420	0,37	
	9	5,5	5,91	9280	8280	2500	2824	3724	9450	8460	1627	170	200	154	338	363	568	1270	1431	0,37	
	9,5	5,5	5,91	9780	8780	2500	2824	3724	9950	8960	1627	170	200	154	338	363	597	1298	1443	0,37	
	10	5,5	5,91	10280	9280	2500	2824	3724	10450	9460	1627	170	200	154	338	363	625	1327	1454	0,37	
	3	6	6,29	3280	2280	3000	3324	4224	3450	2460	1877	120	200	154	371	396	141	908	1184	0,37	
	3,5	6	6,29	3780	2780	3000	3324	4224	3950	2960	1877	120	200	154	371	396	157	924	1222	0,37	
	4	6	6,29	4280	3280	3000	3324	4224	4450	3460	1877	120	200	154	371	396	172	939	1252	0,37	
	4,5	6	6,32	4780	3780	3000	3324	4224	4950	3960	1877	135	200	154	371	396	213	980	1281	0,37	
	5	6	6,32	5280	4280	3000	3324	4224	5450	4460	1877	135	200	154	371	396	231	998	1302	0,37	
	5,5	6	6,32	5780	4780	3000	3324	4224	5950	4960	1877	135	200	154	371	396	249	1016	1319	0,37	
	6	6	6,35	6280	5280	3000	3324	4224	6450	5460	1877	150	200	154	371	396	305	1072	1343	0,37	
	6,5	6	6,35	6780	5780	3000	3324	4224	6950	5960	1877	150	200	154	371	396	326	1093	1358	0,37	
	7	6	6,35	7280	6280	3000	3324	4224	7450	6460	1877	150	200	154	371	396	347	1114	1371	0,37	
	7,5	6	6,35	7780	6780	3000	3324	4224	7950	6960	1877	150	200	154	371	396	368	1135	1383	0,37	
	8	6	6,35	8280	7280	3000	3324	4224	8450	7460	1877	150	200	154	371	396	389	1156	1394	0,37	
	8,5	6	6,41	8780	7780	3000	3324	4224	8950	7960	1877	170	200	154	371	396	539	1306	1435	0,37	
	9	6	6,41	9280	8280	3000	3324	4224	9450	8460	1877	170	200	154	371	396	568	1335	1447	0,37	
	9,5	6	6,41	9780	8780	3000	3324	4224	9950	8960	1877	170	200	154	371	396	597	1364	1458	0,37	
	10	6	6,41	10280	9280	3000	3324	4224	10450	9460	1877	170	200	154	371	396	625	1392	1469	0,37	
	2500	3	3	3,35	3300	2300	1500	1824	2724	3450	2460		150	200	154	253	278	179	709	709	0,55
		3,5	3	3,35	3800	2800	1500	1824	2724	3950	2960		150	200	154	253	278	200	730	1442	0,55
		4	3	3,35	4300	3300	1500	1824	2724	4450	3460		150	200	154	253	278	221	751	1477	0,55
		4,5	3	3,35	4800	3800	1500	1824	2724	4950	3960		150	200	154	253	278	242	772	1505	0,55
		5	3	3,38	5300	4300	1500	1824	2724	5450	4460		160	200	154	253	278	299	829	1537	0,55
		5,5	3	3,38	5800	4800	1500	1824	2724	5950	4960		160	200	154	253	278	324	854	1558	0,55
		6	3	3,38	6300	5300	1500	1824	2724	6450	5460		160	200	154	253	278	348	878	1576	0,55
		6,5	3	3,38	6800	5800	1500	1824	2724	6950	5960		160	200	154	253	278	373	903	1593	0,55
		7	3	3,38	7300	6300	1500	1824	2724	7450	6460		160	200	154	253	278	397	927	1608	0,55
		7,5	3	3,41	7800	6800	1500	1824	2724	7950	6960		170	200	154	253	278	483	1013	1636	0,55
		8	3	3,41	8300	7300	1500	1824	2724	8450	7460		170	200	154	253	278	512	1042	1650	0,55
		8,5	3	3,45	8800	7800	1500	1824	2724	8950	7960		180	200	154	253	278	621	1151	1683	0,55
9		3	3,45	9300	8300	1500	1824	2724	9450	8460		180	200	154	253	278	654	1184	1696	0,55	
9,5		3	3,45	9800	8800	1500	1824	2724	9950	8960		180	200	154	253	278	687	1217	1709	0,55	
10		3	3,45	10300	9300	1500	1824	2724	10450	9460		180	200	154	253	278	720	1250	1722	0,55	
3		3,5	3,85	3300	2300	1500	1824	2724	3450	2460		150	200	154	268	293	179	739	1404	0,55	
3,5		3,5	3,85	3800	2800	1500	1824	2724	3950	2960		150	200	154	268	293	200	760	1449	0,55	
4		3,5	3,85	4300	3300	1500	1824	2724	4450	3460		150	200	154	268	293	221	781	1483	0,55	
4,5		3,5	3,85	4800	3800	1500	1824	2724	4950	3960		150	200	154	268	293	242	802	1512	0,55	
5		3,5	3,88	5300	4300	1500	1824	2724	5450	4460		160	200	154	268	293	299	859	1543	0,55	
5,5		3,5	3,88	5800	4800	1500	1824	2724	5950	4960		160	200	154	268	293	324	884	1564	0,55	
6		3,5	3,88	6300	5300	1500	1824	2724	6450	5460		160	200	154	268	293	348	908	1583	0,55	
6,5		3,5	3,88	6800	5800	1500	1824	2724	6950	5960		160	200	154	268	293	373	933	1600	0,55	
7		3,5	3,88	7300	6300	1500	1824	2724	7450	6460		160	200	154	268	293	397	957	1615	0,55	
7,5		3,5	3,91	7800	6800	1500	1824	2724	7950	6960		170	200	154	268	293	483	1044	1644	0,55	
8		3,5	3,91	8300	7300	1500	1824	2724	8450	7460		170	200	154	268	293	512	1072	1658	0,55	
8,5		3,5	3,95	8800	7800	1500	1824	2724	8950	7960		180	200	154	268	293	621	1181	1690	0,55	
9		3,5	3,95	9300	8300	1500	1824	2724	9450	8460		180	200	154	268	293	654	1214	1703	0,55	
9,5		3,5	3,95	9800	8800	1500	1824	2724	9950	8960		180	200	154	268	293	687	1247	1716	0,55	
10		3,5	3,95	10300	9300	1500	1824	2724	10450	9460		180	200	154	268	293	720	1280	1729	0,55	
3		4	4,35	3300	2300	2000	2324	3224	3450	2460		150	200	154	306	331	179	816	1420	0,55	
3,5		4	4,35	3800	2800	2000	2324	3224	3950	2960		150	200	154	306	331	200	837	1465	0,55	
4	4	4,35	4300	3300	2000	2324	3224	4450	3460		150	200	154	306	331	221	858	1500	0,55		

SWF	Span	HSF	HT	l	ll	e	e1	w	u	v	h1	i	Ø 1	Ø 2	Weight foot 1	Weight foot 2	Weight beam	Weight	Wheel reaction	Engineer power
Kg	m	mm	mm	mm	mm	mm	mm	mm	mm	mm	mm	mm	mm	mm	Kg	Kg	Kg	Kg		
	4,5	4	4,35	4800	3800	2000	2324	3224	4950	3960	150	200	154	306	331	242	879	1529	0,55	
	5	4	4,38	5300	4300	2000	2324	3224	5450	4460	160	200	154	306	331	299	936	1561	0,55	
	5,5	4	4,38	5800	4800	2000	2324	3224	5950	4960	160	200	154	306	331	324	961	1582	0,55	
	6	4	4,38	6300	5300	2000	2324	3224	6450	5460	160	200	154	306	331	348	985	1601	0,55	
	6,5	4	4,38	6800	5800	2000	2324	3224	6950	5960	160	200	154	306	331	373	1010	1618	0,55	
	7	4	4,38	7300	6300	2000	2324	3224	7450	6460	160	200	154	306	331	397	1034	1633	0,55	
	7,5	4	4,41	7800	6800	2000	2324	3224	7950	6960	170	200	154	306	331	433	1120	1661	0,55	
	8	4	4,41	8300	7300	2000	2324	3224	8450	7460	170	200	154	306	331	512	1149	1676	0,55	
	8,5	4	4,45	8800	7800	2000	2324	3224	8950	7960	180	200	154	306	331	621	1257	1708	0,55	
	9	4	4,45	9300	8300	2000	2324	3224	9450	8460	180	200	154	306	331	654	1291	1721	0,55	
	9,5	4	4,45	9800	8800	2000	2324	3224	9950	8960	180	200	154	306	331	687	1324	1735	0,55	
	10	4	4,45	10300	9300	2000	2324	3224	10450	9460	180	200	154	306	331	720	1357	1747	0,55	
	3	4,5	4,85	3350	2350	2000	2324	3224	3450	2460	150	200	154	321	346	211	878	1447	0,55	
	3,5	4,5	4,85	3850	2850	2000	2324	3224	3950	2960	150	200	154	321	346	232	898	1491	0,55	
	4	4,5	4,85	4350	3350	2000	2324	3224	4450	3460	150	200	154	321	346	253	920	1525	0,55	
	4,5	4,5	4,85	4850	3850	2000	2324	3224	4950	3960	150	200	154	321	346	274	941	1552	0,55	
	5	4,5	4,88	5350	4350	2000	2324	3224	5450	4460	160	200	154	321	346	332	999	1583	0,55	
	5,5	4,5	4,88	5850	4850	2000	2324	3224	5950	4960	160	200	154	321	346	356	1023	1604	0,55	
	6	4,5	4,88	6350	5350	2000	2324	3224	6450	5460	160	200	154	321	346	381	1048	1622	0,55	
	6,5	4,5	4,88	6850	5850	2000	2324	3224	6950	5960	160	200	154	321	346	405	1072	1639	0,55	
	7	4,5	4,88	7350	6350	2000	2324	3224	7450	6460	160	200	154	321	346	430	1097	1654	0,55	
	7,5	4,5	4,91	7850	6850	2000	2324	3224	7950	6960	170	200	154	321	346	516	1183	1682	0,55	
	8	4,5	4,91	8350	7350	2000	2324	3224	8450	7460	170	200	154	321	346	545	1212	1696	0,55	
	8,5	4,5	4,95	8850	7850	2000	2324	3224	8950	7960	180	200	154	321	346	654	1321	1728	0,55	
	9	4,5	4,95	9350	8350	2000	2324	3224	9450	8460	180	200	154	321	346	687	1354	1741	0,55	
	9,5	4,5	4,95	9850	8850	2000	2324	3224	9950	8960	180	200	154	321	346	720	1387	1754	0,55	
	10	4,5	4,95	10350	9350	2000	2324	3224	10450	9460	180	200	154	321	346	753	1420	1767	0,55	
	3	5	5,35	3350	2350	2500	2824	3724	3450	2460	150	200	154	359	384	211	955	1463	0,55	
	3,5	5	5,35	3850	2850	2500	2824	3724	3950	2960	150	200	154	359	384	232	976	1507	0,55	
	4	5	5,35	4350	3350	2500	2824	3724	4450	3460	150	200	154	359	384	253	997	1541	0,55	
	4,5	5	5,35	4850	3850	2500	2824	3724	4950	3960	150	200	154	359	384	274	1018	1569	0,55	
	5	5	5,38	5350	4350	2500	2824	3724	5450	4460	160	200	154	359	384	332	1075	1601	0,55	
	5,5	5	5,38	5850	4850	2500	2824	3724	5950	4960	160	200	154	359	384	356	1100	1622	0,55	
	6	5	5,38	6350	5350	2500	2824	3724	6450	5460	160	200	154	359	384	381	1124	1640	0,55	
	6,5	5	5,38	6850	5850	2500	2824	3724	6950	5960	160	200	154	359	384	405	1149	1657	0,55	
	7	5	5,38	7350	6350	2500	2824	3724	7450	6460	160	200	154	359	384	430	1173	1672	0,55	
	7,5	5	5,41	7850	6850	2500	2824	3724	7950	6960	170	200	154	359	384	516	1260	1700	0,55	
	8	5	5,41	8350	7350	2500	2824	3724	8450	7460	170	200	154	359	384	545	1289	1714	0,55	
	8,5	5	5,45	8850	7850	2500	2824	3724	8950	7960	180	200	154	359	384	654	1398	1746	0,55	
	9	5	5,45	9350	8350	2500	2824	3724	9450	8460	180	200	154	359	384	687	1431	1760	0,55	
	9,5	5	5,45	9850	8850	2500	2824	3724	9950	8960	180	200	154	359	384	720	1464	1773	0,55	
	10	5	5,45	10350	9350	2500	2824	3724	10450	9460	180	200	154	359	384	753	1497	1785	0,55	
	3	5,5	5,85	3350	2350	2500	2824	3724	3450	2460	1592	150	200	154	374	399	211	985	1470	0,55
	3,5	5,5	5,85	3850	2850	2500	2824	3724	3950	2960	1592	150	200	154	374	399	232	1006	1514	0,55
	4	5,5	5,85	4350	3350	2500	2824	3724	4450	3460	1592	150	200	154	374	399	253	1027	1548	0,55
	4,5	5,5	5,85	4850	3850	2500	2824	3724	4950	3960	1592	150	200	154	374	399	274	1048	1576	0,55
	5	5,5	5,88	5350	4350	2500	2824	3724	5450	4460	1592	160	200	154	374	399	332	1105	1608	0,55
	5,5	5,5	5,88	5850	4850	2500	2824	3724	5950	4960	1592	160	200	154	374	399	356	1130	1629	0,55
	6	5,5	5,88	6350	5350	2500	2824	3724	6450	5460	1592	160	200	154	374	399	381	1154	1647	0,55
	6,5	5,5	5,88	6850	5850	2500	2824	3724	6950	5960	1592	160	200	154	374	399	405	1179	1664	0,55
	7	5,5	5,88	7350	6350	2500	2824	3724	7450	6460	1592	160	200	154	374	399	430	1204	1679	0,55
	7,5	5,5	5,91	7850	6850	2500	2824	3724	7950	6960	1592	170	200	154	374	399	516	1290	1707	0,55
	8	5,5	5,91	8350	7350	2500	2824	3724	8450	7460	1592	170	200	154	374	399	545	1319	1721	0,55
	8,5	5,5	5,95	8850	7850	2500	2824	3724	8950	7960	1592	180	200	154	374	399	654	1428	1753	0,55
	9	5,5	5,95	9350	8350	2500	2824	3724	9450	8460	1592	180	200	154	374	399	687	1461	1767	0,55
	9,5	5,5	5,95	9850	8850	2500	2824	3724	9950	8960	1592	180	200	154	374	399	720	1494	1780	0,55
	10	5,5	5,95	10350	9350	2500	2824	3724	10450	9460	1592	180	200	154	374	399	753	1527	1792	0,55
	3	6	6,35	3350	2350	3000	3324	4224	3450	2460	1842	150	200	154	413	438	211	1061	1486	0,55
	3,5	6	6,35	3850	2850	3000	3324	4224	3950	2960	1842	150	200	154	413	438	232	1083	1530	0,55
	4	6	6,35	4350	3350	3000	3324	4224	4450	3460	1842	150	200	154	413	438	253	1104	1565	0,55
	4,5	6	6,35	4850	3850	3000	3324	4224	4950	3960	1842	150	200	154	413	438	274	1125	1593	0,55
	5	6	6,38	5350	4350	3000	3324	4224	5450	4460	1842	160	200	154	413	438	332	1182	1625	0,55
	5,5	6	6,38	5850	4850	3000	3324	4224	5950	4960	1842	160	200	154	413	438	356	1207	1646	0,55
	6	6	6,38	6350	5350	3000	3324	4224	6450	5460	1842	160	200	154	413	438	381	1231	1665	0,55
	6,5	6	6,38	6850	5850	3000	3324	4224	6950	5960	1842	160	200	154	413	438	405	1256	1681	0,55
	7	6	6,38	7350	6350	3000	3324	4224	7450	6460	1842	160	200	154	413	438	430	1280	1697	0,55
	7,5	6	6,41	7850	6850	3000	3324	4224	7950	6960	1842	170	200	154	413	438	516	1367	1725	0,55
	8	6	6,41	8350	7350	3000	3324	4224	8450	7460	1842	170	200	154	413	438	545	1395	1739	0,55
	8,5	6	6,45	8850	7850	3000	3324	4224	8950	7960	1842	180	200	154	413	438	654	1504	1771	0,55
	9	6	6,45	9350	8350	3000	3324													

SWF	Span	HSF	HT	I	II	e	eI	w	u	v	h1	i	Ø1	Ø2	Weight foot 1	Weight foot 2	Weight beam	Weight	Wheel reaction	Engine power
Kg	m	mm	mm	mm	mm	mm	mm	mm	mm	mm	mm	mm	mm	mm	Kg	Kg	Kg	Kg		
	3	3	3,35	3300	2300	1500	1890	2790	3450	2450		150	250	200	288	313	179	780	1763	0.55
	3,5	3	3,35	3800	2800	1500	1890	2790	3950	2950		150	250	200	288	313	200	802	1817	0.55
	4	3	3,35	4300	3300	1500	1890	2790	4450	3450		150	250	200	288	313	221	823	1860	0.55
	4,5	3	3,35	4800	3800	1500	1890	2790	4950	3950		150	250	200	288	313	242	844	1894	0.55
	5	3	3,38	5300	4300	1500	1890	2790	5450	4450		160	250	200	288	313	299	901	1931	0.55
	5,5	3	3,38	5800	4800	1500	1890	2790	5950	4950		160	250	200	288	313	324	925	1956	0.55
	6	3	3,38	6300	5300	1500	1890	2790	6450	5450		160	250	200	288	313	348	950	1978	0.55
	6,5	3	3,38	6800	5800	1500	1890	2790	6950	5950		160	250	200	288	313	373	974	1997	0.55
	7	3	3,38	7300	6300	1500	1890	2790	7450	6450		160	250	200	288	313	397	999	2015	0.55
	7,5	3	3,41	7800	6800	1500	1890	2790	7950	6950		170	250	200	288	313	483	1085	2045	0.55
	8	3	3,41	8300	7300	1500	1890	2790	8450	7450		170	250	200	288	313	512	1114	2061	0.55
	8,5	3	3,45	8800	7800	1500	1890	2790	8950	7950		180	250	200	288	313	621	1222	2095	0.55
	9	3	3,45	9300	8300	1500	1890	2790	9450	8450		180	250	200	288	313	654	1255	2110	0.55
	9,5	3	3,45	9800	8800	1500	1890	2790	9950	8950		180	250	200	288	313	687	1289	2124	0.55
	10	3	3,45	10300	9300	1500	1890	2790	10450	9450		180	250	200	288	313	720	1322	2138	0.55
	3	3,5	3,85	3300	2300	1500	1890	2790	3450	2450		150	250	200	303	328	179	811	1769	0.55
	3,5	3,5	3,85	3800	2800	1500	1890	2790	3950	2950		150	250	200	303	328	200	832	1824	0.55
	4	3,5	3,85	4300	3300	1500	1890	2790	4450	3450		150	250	200	303	328	221	853	1867	0.55
	4,5	3,5	3,85	4800	3800	1500	1890	2790	4950	3950		150	250	200	303	328	242	874	1901	0.55
	5	3,5	3,88	5300	4300	1500	1890	2790	5450	4450		160	250	200	303	328	299	931	1937	0.55
	5,5	3,5	3,88	5800	4800	1500	1890	2790	5950	4950		160	250	200	303	328	324	955	1963	0.55
	6	3,5	3,88	6300	5300	1500	1890	2790	6450	5450		160	250	200	303	328	348	980	1985	0.55
	6,5	3,5	3,88	6800	5800	1500	1890	2790	6950	5950		160	250	200	303	328	373	1004	2004	0.55
	7	3,5	3,88	7300	6300	1500	1890	2790	7450	6450		160	250	200	303	328	397	1029	2022	0.55
	7,5	3,5	3,91	7800	6800	1500	1890	2790	7950	6950		170	250	200	303	328	483	1115	2052	0.55
	8	3,5	3,91	8300	7300	1500	1890	2790	8450	7450		170	250	200	303	328	512	1144	2068	0.55
	8,5	3,5	3,95	8800	7800	1500	1890	2790	8950	7950		180	250	200	303	328	621	1252	2102	0.55
	9	3,5	3,95	9300	8300	1500	1890	2790	9450	8450		180	250	200	303	328	654	1285	2117	0.55
	9,5	3,5	3,95	9800	8800	1500	1890	2790	9950	8950		180	250	200	303	328	687	1319	2131	0.55
	10	3,5	3,95	10300	9300	1500	1890	2790	10450	9450		180	250	200	303	328	720	1352	2145	0.55
	3	4	4,35	3300	2300	2000	2390	3290	3450	2450		150	250	200	342	367	179	887	1785	0.55
	3,5	4	4,35	3800	2800	2000	2390	3290	3950	2950		150	250	200	342	367	200	908	1840	0.55
	4	4	4,35	4300	3300	2000	2390	3290	4450	3450		150	250	200	342	367	221	929	1883	0.55
	4,5	4	4,35	4800	3800	2000	2390	3290	4950	3950		150	250	200	342	367	242	951	1918	0.55
	5	4	4,38	5300	4300	2000	2390	3290	5450	4450		160	250	200	342	367	299	1008	1955	0.55
	5,5	4	4,38	5800	4800	2000	2390	3290	5950	4950		160	250	200	342	367	324	1032	1980	0.55
	6	4	4,38	6300	5300	2000	2390	3290	6450	5450		160	250	200	342	367	348	1057	2002	0.55
	6,5	4	4,38	6800	5800	2000	2390	3290	6950	5950		160	250	200	342	367	373	1081	2022	0.55
	7	4	4,38	7300	6300	2000	2390	3290	7450	6450		160	250	200	342	367	397	1106	2040	0.55
	7,5	4	4,41	7800	6800	2000	2390	3290	7950	6950		170	250	200	342	367	483	1192	2070	0.55
	8	4	4,41	8300	7300	2000	2390	3290	8450	7450		170	250	200	342	367	512	1220	2086	0.55
	8,5	4	4,45	8800	7800	2000	2390	3290	8950	7950		180	250	200	342	367	621	1329	2120	0.55
	9	4	4,45	9300	8300	2000	2390	3290	9450	8450		180	250	200	342	367	654	1362	2135	0.55
	9,5	4	4,45	9800	8800	2000	2390	3290	9950	8950		180	250	200	342	367	687	1395	2149	0.55
	10	4	4,45	10300	9300	2000	2390	3290	10450	9450		180	250	200	342	367	720	1429	2163	0.55
	3	4,5	4,85	3350	2350	2000	2390	3290	3450	2450		150	250	200	357	382	211	949	1816	0.55
	3,5	4,5	4,85	3850	2850	2000	2390	3290	3950	2950		150	250	200	357	382	232	971	1869	0.55
	4	4,5	4,85	4350	3350	2000	2390	3290	4450	3450		150	250	200	357	382	253	992	1910	0.55
	4,5	4,5	4,85	4850	3850	2000	2390	3290	4950	3950		150	250	200	357	382	274	1013	1944	0.55
	5	4,5	4,88	5350	4350	2000	2390	3290	5450	4450		160	250	200	357	382	332	1070	1980	0.55
	5,5	4,5	4,88	5850	4850	2000	2390	3290	5950	4950		160	250	200	357	382	356	1095	2004	0.55
	6	4,5	4,88	6350	5350	2000	2390	3290	6450	5450		160	250	200	357	382	381	1119	2026	0.55
	6,5	4,5	4,88	6850	5850	2000	2390	3290	6950	5950		160	250	200	357	382	405	1144	2045	0.55
	7	4,5	4,88	7350	6350	2000	2390	3290	7450	6450		160	250	200	357	382	430	1168	2062	0.55
	7,5	4,5	4,91	7850	6850	2000	2390	3290	7950	6950		170	250	200	357	382	516	1255	2092	0.55
	8	4,5	4,91	8350	7350	2000	2390	3290	8450	7450		170	250	200	357	382	545	1283	2108	0.55
	8,5	4,5	4,95	8850	7850	2000	2390	3290	8950	7950		180	250	200	357	382	654	1392	2141	0.55
	9	4,5	4,95	9350	8350	2000	2390	3290	9450	8450		180	250	200	357	382	687	1426	2156	0.55
	9,5	4,5	4,95	9850	8850	2000	2390	3290	9950	8950		180	250	200	357	382	720	1459	2170	0.55
	10	4,5	4,95	10350	9350	2000	2390	3290	10450	9450		180	250	200	357	382	753	1492	2184	0.55
	3	5	5,35	3350	2350	2500	2890	3790	3450	2450		150	250	200	395	420	211	1026	1832	0.55
	3,5	5	5,35	3850	2850	2500	2890	3790	3950	2950		150	250	200	395	420	232	1047	1886	0.55
	4	5	5,35	4350	3350	2500	2890	3790	4450	3450		150	250	200	395	420	253	1068	1927	0.55
	4,5	5	5,35	4850	3850	2500	2890	3790	4950	3950		150	250	200	395	420	274	1090	1961	0.55
	5	5	5,38	5350	4350	2500	2890	3790	5450	4450		160	250	200	395	420	332	1147	1997	0.55
	5,5	5	5,38	5850	4850	2500	2890	3790	5950	4950		160	250	200	395	420	356	1171	2022	0.55
	6	5	5,38	6350	5350	2500	2890	3790	6450	5450		160	250	200	395	420	381	1196	2043	0.55
	6,5	5	5,38	6850	5850	2500	2890	3790	6950	5950		160	250	200	395	420	405	1221	2063	0.55
	7	5	5,38	7350	6350	2500	2890	3790	7450	6450		160	250	200	395	420	430	1245	2080	0.55
	7,5	5	5,41	7850	6850															

SWF	Span	HSF	HT	l	ll	e	e1	w	u	v	h1	i	Ø 1	Ø 2	Weight foot 1	Weight foot 2	Weight beam	Weight	Wheel reaction	Engineer power	
Kg	m	mm	mm	mm	mm	mm	mm	mm	mm	mm	mm	mm	mm	mm	Kg	Kg	Kg	Kg			
3200	9	5	5,45	9350	8350	2500	2890	3790	9450	8450		180	250	200	395	420	687	1502	2174	0,55	
	9,5	5	5,45	9850	8850	2500	2890	3790	9950	8950		180	250	200	395	420	720	1536	2189	0,55	
	10	5	5,45	10350	9350	2500	2890	3790	10450	9450		180	250	200	395	420	753	1569	2202	0,55	
	3	5,5	5,85	3350	2350	2500	2890	3790	3450	2450	1695	150	250	200	410	435	211	1056	1838	0,55	
	3,5	5,5	5,85	3850	2850	2500	2890	3790	3950	2950	1695	150	250	200	410	435	232	1077	1892	0,55	
	4	5,5	5,85	4350	3350	2500	2890	3790	4450	3450	1695	150	250	200	410	435	253	1099	1934	0,55	
	4,5	5,5	5,85	4850	3850	2500	2890	3790	4950	3950	1695	150	250	200	410	435	274	1120	1968	0,55	
	5	5,5	5,88	5350	4350	2500	2890	3790	5450	4450	1695	160	250	200	410	435	332	1177	2004	0,55	
	5,5	5,5	5,88	5850	4850	2500	2890	3790	5950	4950	1695	160	250	200	410	435	356	1202	2029	0,55	
	6	5,5	5,88	6350	5350	2500	2890	3790	6450	5450	1695	160	250	200	410	435	381	1226	2050	0,55	
	6,5	5,5	5,88	6850	5850	2500	2890	3790	6950	5950	1695	160	250	200	410	435	405	1251	2069	0,55	
	7	5,5	5,88	7350	6350	2500	2890	3790	7450	6450	1695	160	250	200	410	435	430	1275	2087	0,55	
	7,5	5,5	5,91	7850	6850	2500	2890	3790	7950	6950	1695	170	250	200	410	435	516	1362	2117	0,55	
	8	5,5	5,91	8350	7350	2500	2890	3790	8450	7450	1695	170	250	200	410	435	545	1390	2133	0,55	
	8,5	5,5	5,95	8850	7850	2500	2890	3790	8950	7950	1695	180	250	200	410	435	654	1499	2167	0,55	
	9	5,5	5,95	9350	8350	2500	2890	3790	9450	8450	1695	180	250	200	410	435	687	1532	2182	0,55	
	9,5	5,5	5,95	9850	8850	2500	2890	3790	9950	8950	1695	180	250	200	410	435	720	1566	2196	0,55	
	10	5,5	5,95	10350	9350	2500	2890	3790	10450	9450	1695	180	250	200	410	435	753	1599	2210	0,55	
	3	6	6,35	3350	2350	3000	3390	4290	3450	2450	1945	150	250	200	449	474	211	1133	1854	0,55	
	3,5	6	6,35	3850	2850	3000	3390	4290	3950	2950	1945	150	250	200	449	474	232	1154	1909	0,55	
	4	6	6,35	4350	3350	3000	3390	4290	4450	3450	1945	150	250	200	449	474	253	1175	1951	0,55	
	4,5	6	6,35	4850	3850	3000	3390	4290	4950	3950	1945	150	250	200	449	474	274	1196	1985	0,55	
	5	6	6,38	5350	4350	3000	3390	4290	5450	4450	1945	160	250	200	449	474	332	1254	2021	0,55	
	5,5	6	6,38	5850	4850	3000	3390	4290	5950	4950	1945	160	250	200	449	474	356	1278	2046	0,55	
	6	6	6,38	6350	5350	3000	3390	4290	6450	5450	1945	160	250	200	449	474	381	1303	2068	0,55	
	6,5	6	6,38	6850	5850	3000	3390	4290	6950	5950	1945	160	250	200	449	474	405	1327	2087	0,55	
	7	6	6,38	7350	6350	3000	3390	4290	7450	6450	1945	160	250	200	449	474	430	1352	2105	0,55	
	7,5	6	6,41	7850	6850	3000	3390	4290	7950	6950	1945	170	250	200	449	474	516	1438	2135	0,55	
	8	6	6,41	8350	7350	3000	3390	4290	8450	7450	1945	170	250	200	449	474	545	1467	2151	0,55	
	8,5	6	6,45	8850	7850	3000	3390	4290	8950	7950	1945	180	250	200	449	474	654	1576	2185	0,55	
	9	6	6,45	9350	8350	3000	3390	4290	9450	8450	1945	180	250	200	449	474	687	1609	2200	0,55	
	9,5	6	6,45	9850	8850	3000	3390	4290	9950	8950	1945	180	250	200	449	474	720	1642	2214	0,55	
	10	6	6,45	10350	9350	3000	3390	4290	10450	9450	1945	180	250	200	449	474	753	1676	2228	0,55	
	4000	3	3	3,35	3350	2350	1500	1975	2875	3450	2310		150	300	250	381	406	211	999	2230	0,75
		3,5	3	3,35	3850	2850	1500	1975	2875	3950	2810		150	300	250	381	406	232	1020	2295	0,75
		4	3	3,35	4350	3350	1500	1975	2875	4450	3310		150	300	250	381	406	253	1041	2344	0,75
		4,5	3	3,35	4850	3850	1500	1975	2875	4950	3810		150	300	250	381	406	274	1062	2384	0,75
		5	3	3,41	5350	4350	1500	1975	2875	5450	4310		170	300	250	381	406	374	1161	2435	0,75
		5,5	3	3,41	5850	4850	1500	1975	2875	5950	4810		170	300	250	381	406	402	1190	2464	0,75
		6	3	3,41	6350	5350	1500	1975	2875	6450	5310		170	300	250	381	406	431	1218	2490	0,75
6,5		3	3,41	6850	5850	1500	1975	2875	6950	5810		170	300	250	381	406	459	1247	2514	0,75	
7		3	3,41	7350	6350	1500	1975	2875	7450	6310		170	300	250	381	406	488	1275	2534	0,75	
7,5		3	3,41	7850	6850	1500	1975	2875	7950	6810		170	300	250	381	406	516	1304	2553	0,75	
8		3	3,45	8350	7350	1500	1975	2875	8450	7310		180	300	250	381	406	621	1408	2589	0,75	
8,5		3	3,45	8850	7850	1500	1975	2875	8950	7810		180	300	250	381	406	654	1442	2606	0,75	
9		3	3,45	9350	8350	1500	1975	2875	9450	8310		180	300	250	381	406	687	1475	2623	0,75	
9,5		3	3,5	9850	8850	1500	1975	2875	9950	8810		190	300	250	381	406	830	1618	2664	0,75	
10		3	3,5	10350	9350	1500	1975	2875	10450	9310		190	300	250	381	406	869	1657	2681	0,75	
3		3,5	3,85	3350	2350	1500	1975	2875	3450	2310		150	300	250	396	421	211	1029	2236	0,75	
3,5		3,5	3,85	3850	2850	1500	1975	2875	3950	2810		150	300	250	396	421	232	1050	2301	0,75	
4		3,5	3,85	4350	3350	1500	1975	2875	4450	3310		150	300	250	396	421	253	1071	2351	0,75	
4,5		3,5	3,85	4850	3850	1500	1975	2875	4950	3810		150	300	250	396	421	274	1092	2391	0,75	
5		3,5	3,91	5350	4350	1500	1975	2875	5450	4310		170	300	250	396	421	374	1191	2442	0,75	
5,5		3,5	3,91	5850	4850	1500	1975	2875	5950	4810		170	300	250	396	421	402	1220	2471	0,75	
6		3,5	3,91	6350	5350	1500	1975	2875	6450	5310		170	300	250	396	421	431	1248	2497	0,75	
6,5		3,5	3,91	6850	5850	1500	1975	2875	6950	5810		170	300	250	396	421	459	1277	2521	0,75	
7		3,5	3,91	7350	6350	1500	1975	2875	7450	6310		170	300	250	396	421	488	1306	2541	0,75	
7,5		3,5	3,91	7850	6850	1500	1975	2875	7950	6810		170	300	250	396	421	516	1334	2560	0,75	
8		3,5	3,95	8350	7350	1500	1975	2875	8450	7310		180	300	250	396	421	621	1439	2596	0,75	
8,5		3,5	3,95	8850	7850	1500	1975	2875	8950	7810		180	300	250	396	421	654	1472	2613	0,75	
9		3,5	3,95	9350	8350	1500	1975	2875	9450	8310		180	300	250	396	421	687	1505	2630	0,75	
9,5		3,5	4	9850	8850	1500	1975	2875	9950	8810		190	300	250	396	421	830	1648	2671	0,75	
10		3,5	4	10350	9350	1500	1975	2875	10450	9310		190	300	250	396	421	869	1687	2688	0,75	
3		4	4,35	3350	2350	2000	2475	3375	3450	2310		150	300	250	442	467	211	1120	2256	0,75	
3,5		4	4,35	3850	2850	2000	2475	3375	3950	2810		150	300	250	442	467	232	1142	2321	0,75	
4		4	4,35	4350	3350	2000	2475	3375	4450	3310		150	300	250	442	467	253	1163	2371	0,75	
4,5		4	4,35	4850	3850	2000	2475	3375	4950	3810		150	300	250	442	467	274	1184	2411	0,75	
5		4	4,41	5350	4350	2000	2475	3375	5450	4310		170	300	250	442	467	374	1283	2462	0,75	
5,5		4	4,41	5850	4850	2000	2475	3375	5950	4810		170	300	250	442	467	402	1312	2492	0,75	



SWF	Span	HSF	HT	I	II	e	eI	w	u	v	h1	i	Ø1	Ø2	Weight foot 1	Weight foot 2	Weight beam	Weight	Wheel reaction	Engine power
Kg	m	mm	mm	mm	mm	mm	mm	mm	mm	mm	mm	mm	mm	mm	Kg	Kg	Kg	Kg		
4000	6	4	4,41	6350	5350	2000	2475	3375	6450	5310		170	300	250	442	467	431	1340	2519	0,75
	6,5	4	4,41	6850	5850	2000	2475	3375	6950	5810		170	300	250	442	467	459	1369	2542	0,75
	7	4	4,41	7350	6350	2000	2475	3375	7450	6310		170	300	250	442	467	488	1397	2563	0,75
	7,5	4	4,41	7850	6850	2000	2475	3375	7950	6810		170	300	250	442	467	516	1426	2582	0,75
	8	4	4,45	8350	7350	2000	2475	3375	8450	7310		180	300	250	442	467	621	1530	2617	0,75
	8,5	4	4,45	8850	7850	2000	2475	3375	8950	7810		180	300	250	442	467	654	1563	2635	0,75
	9	4	4,45	9350	8350	2000	2475	3375	9450	8310		180	300	250	442	467	687	1597	2651	0,75
	9,5	4	4,5	9850	8850	2000	2475	3375	9950	8810		190	300	250	442	467	830	1740	2693	0,75
	10	4	4,5	10250	9350	2000	2475	3375	10450	9310		190	300	250	442	467	869	1779	2710	0,75
	3	4,5	4,85	3350	2350	2000	2475	3375	3450	2310		150	300	250	457	482	211	1151	2262	0,75
	3,5	4,5	4,85	3850	2850	2000	2475	3375	3950	2810		150	300	250	457	482	232	1172	2327	0,75
	4	4,5	4,85	4350	3350	2000	2475	3375	4450	3310		150	300	250	457	482	253	1193	2378	0,75
	4,5	4,5	4,85	4850	3850	2000	2475	3375	4950	3810		150	300	250	457	482	274	1214	2418	0,75
	5	4,5	4,91	5350	4350	2000	2475	3375	5450	4310		170	300	250	457	482	374	1313	2469	0,75
	5,5	4,5	4,91	5850	4850	2000	2475	3375	5950	4810		170	300	250	457	482	402	1342	2499	0,75
	6	4,5	4,91	6350	5350	2000	2475	3375	6450	5310		170	300	250	457	482	431	1370	2525	0,75
	6,5	4,5	4,91	6850	5850	2000	2475	3375	6950	5810		170	300	250	457	482	459	1399	2549	0,75
	7	4,5	4,91	7350	6350	2000	2475	3375	7450	6310		170	300	250	457	482	488	1427	2570	0,75
	7,5	4,5	4,91	7850	6850	2000	2475	3375	7950	6810		170	300	250	457	482	516	1456	2589	0,75
	8	4,5	4,95	8350	7350	2000	2475	3375	8450	7310		180	300	250	457	482	621	1560	2624	0,75
	8,5	4,5	4,95	8850	7850	2000	2475	3375	8950	7810		180	300	250	457	482	654	1594	2642	0,75
	9	4,5	4,95	9350	8350	2000	2475	3375	9450	8310		180	300	250	457	482	687	1627	2659	0,75
	9,5	4,5	5	9850	8850	2000	2475	3375	9950	8810		190	300	250	457	482	830	1770	2700	0,75
	10	4,5	5	10250	9350	2000	2475	3375	10450	9310		190	300	250	457	482	869	1809	2717	0,75
	3	5	5,35	3400	2400	2500	2975	3875	3450	2310		150	300	250	503	528	221	1253	2306	0,75
	3,5	5	5,35	3900	2900	2500	2975	3875	3950	2810		150	300	250	503	528	243	1274	2369	0,75
	4	5	5,35	4400	3400	2500	2975	3875	4450	3310		150	300	250	503	528	264	1295	2417	0,75
	4,5	5	5,35	4900	3900	2500	2975	3875	4950	3810		150	300	250	503	528	285	1316	2456	0,75
	5	5	5,41	5400	4400	2500	2975	3875	5450	4310		170	300	250	503	528	385	1416	2506	0,75
	5,5	5	5,41	5900	4900	2500	2975	3875	5950	4810		170	300	250	503	528	413	1445	2535	0,75
	6	5	5,41	6400	5400	2500	2975	3875	6450	5310		170	300	250	503	528	442	1473	2561	0,75
	6,5	5	5,41	6900	5900	2500	2975	3875	6950	5810		170	300	250	503	528	470	1502	2583	0,75
	7	5	5,41	7400	6400	2500	2975	3875	7450	6310		170	300	250	503	528	499	1530	2604	0,75
	7,5	5	5,41	7900	6900	2500	2975	3875	7950	6810		170	300	250	503	528	528	1559	2622	0,75
	8	5	5,45	8400	7400	2500	2975	3875	8450	7310		180	300	250	503	528	632	1664	2658	0,75
	8,5	5	5,45	8900	7900	2500	2975	3875	8950	7810		180	300	250	503	528	666	1697	2675	0,75
	9	5	5,45	9400	8400	2500	2975	3875	9450	8310		180	300	250	503	528	699	1730	2691	0,75
	9,5	5	5,5	9900	8900	2500	2975	3875	9950	8810		190	300	250	503	528	843	1874	2733	0,75
	10	5	5,5	10400	9400	2500	2975	3875	10450	9310		190	300	250	503	528	881	1913	2749	0,75
	3	5,5	5,85	3400	2400	2500	2975	3875	3450	2310	1768	150	300	250	518	543	221	1283	2313	0,75
	3,5	5,5	5,85	3900	2900	2500	2975	3875	3950	2810	1768	150	300	250	518	543	243	1304	2376	0,75
	4	5,5	5,85	4400	3400	2500	2975	3875	4450	3310	1768	150	300	250	518	543	264	1325	2424	0,75
	4,5	5,5	5,85	4900	3900	2500	2975	3875	4950	3810	1768	150	300	250	518	543	285	1346	2463	0,75
	5	5,5	5,91	5400	4400	2500	2975	3875	5450	4310	1768	170	300	250	518	543	385	1446	2513	0,75
	5,5	5,5	5,91	5900	4900	2500	2975	3875	5950	4810	1768	170	300	250	518	543	413	1475	2542	0,75
	6	5,5	5,91	6400	5400	2500	2975	3875	6450	5310	1768	170	300	250	518	543	442	1503	2568	0,75
	6,5	5,5	5,91	6900	5900	2500	2975	3875	6950	5810	1768	170	300	250	518	543	470	1532	2590	0,75
	7	5,5	5,91	7400	6400	2500	2975	3875	7450	6310	1768	170	300	250	518	543	499	1560	2611	0,75
	7,5	5,5	5,91	7900	6900	2500	2975	3875	7950	6810	1768	170	300	250	518	543	528	1589	2629	0,75
	8	5,5	5,95	8400	7400	2500	2975	3875	8450	7310	1768	180	300	250	518	543	632	1694	2665	0,75
	8,5	5,5	5,95	8900	7900	2500	2975	3875	8950	7810	1768	180	300	250	518	543	666	1727	2682	0,75
	9	5,5	5,95	9400	8400	2500	2975	3875	9450	8310	1768	180	300	250	518	543	699	1760	2698	0,75
	9,5	5,5	6	9900	8900	2500	2975	3875	9950	8810	1768	190	300	250	518	543	843	1904	2740	0,75
	10	5,5	6	10400	9400	2500	2975	3875	10450	9310	1768	190	300	250	518	543	881	1943	2756	0,75
	3	6	6,35	3400	2400	3000	3475	4375	3450	2310	2018	150	300	250	564	589	221	1375	2332	0,75
	3,5	6	6,35	3900	2900	3000	3475	4375	3950	2810	2018	150	300	250	564	589	243	1396	2395	0,75
	4	6	6,35	4400	3400	3000	3475	4375	4450	3310	2018	150	300	250	564	589	264	1417	2444	0,75
	4,5	6	6,35	4900	3900	3000	3475	4375	4950	3810	2018	150	300	250	564	589	285	1438	2484	0,75
	5	6	6,41	5400	4400	3000	3475	4375	5450	4310	2018	170	300	250	564	589	385	1538	2534	0,75
	5,5	6	6,41	5900	4900	3000	3475	4375	5950	4810	2018	170	300	250	564	589	413	1567	2563	0,75
	6	6	6,41	6400	5400	3000	3475	4375	6450	5310	2018	170	300	250	564	589	442	1595	2589	0,75
	6,5	6	6,41	6900	5900	3000	3475	4375	6950	5810	2018	170	300	250	564	589	470	1624	2612	0,75
	7	6	6,41	7400	6400	3000	3475	4375	7450	6310	2018	170	300	250	564	589	499	1652	2632	0,75
	7,5	6	6,41	7900	6900	3000	3475	4375	7950	6810	2018	170	300	250	564	589	528	1681	2651	0,75
	8	6	6,45	8400	7400	3000	3475	4375	8450	7310	2018	180	300	250	564	589	632	1786	2686	0,75
	8,5	6	6,45	8900	7900	3000	3475	4375	8950	7810	2018	180	300	250	564	589	666	1819	2704	0,75
	9	6	6,45	9400	8400	3000	3475	4375	9450	8310	2018	180	300	250	564	589	699	1852	2720	0,75
	9,5	6	6,5	9900	8900	3000	3475	4375	9950	8810	2018	190	300	250	564	589	843	1996	2762	0,75
	10	6	6,5	10400	9400	3000	3475	4375	10450	9310	2018	190	300	250	564	589	881	2035	2778	0,75

SWF	Span	HSF	HT	l	l1	e	e1	w	u	v	h1	i	Ø 1	Ø 2	Weight foot 1	Weight foot 2	Weight beam	Weight	Wheel reaction	Engineer power	
Kg	m	mm	mm	mm	mm	mm	mm	mm	mm	mm	mm	mm	mm	mm	Kg	Kg	Kg	Kg			
	3	3	3,41	3350	2350	1500	1975	2875	3450	2310			170	300	250	381	406	259	1047	2745	0.75
	3,5	3	3,41	3850	2850	1500	1975	2875	3950	2810			170	300	250	381	406	288	1076	2825	0.75
	4	3	3,41	4350	3350	1500	1975	2875	4450	3310			170	300	250	381	406	316	1104	2887	0.75
	4,5	3	3,41	4850	3850	1500	1975	2875	4950	3810			170	300	250	381	406	345	1133	2937	0.75
	5	3	3,45	5350	4350	1500	1975	2875	5450	4310			180	300	250	381	406	422	1210	2989	0.75
	5,5	3	3,45	5850	4850	1500	1975	2875	5950	4810			180	300	250	381	406	455	1243	3025	0.75
	6	3	3,45	6350	5350	1500	1975	2875	6450	5310			180	300	250	381	406	488	1276	3056	0.75
	6,5	3	3,45	6850	5850	1500	1975	2875	6950	5810			180	300	250	381	406	521	1309	3084	0.75
	7	3	3,45	7350	6350	1500	1975	2875	7450	6310			180	300	250	381	406	554	1342	3109	0.75
	7,5	3	3,45	7850	6850	1500	1975	2875	7950	6810			180	300	250	381	406	588	1375	3132	0.75
	8	3	3,45	8350	7350	1500	1975	2875	8450	7310			180	300	250	381	406	621	1408	3153	0.75
	8,5	3	3,45	8850	7850	1500	1975	2875	8950	7810			180	300	250	381	406	654	1442	3173	0.75
	9	3	3,45	9350	8350	1500	1975	2875	9450	8310			180	300	250	381	406	687	1475	3191	0.75
	9,5	3	3,45	9850	8850	1500	1975	2875	9950	8810			180	300	250	381	406	720	1508	3208	0.75
	10	3	3,45	10350	9350	1500	1975	2875	10450	9310			180	300	250	381	406	753	1541	3224	0.75
	3	3,5	3,91	3350	2350	1500	1975	2875	3450	2310			170	300	250	396	421	259	1077	2752	0.75
	3,5	3,5	3,91	3850	2850	1500	1975	2875	3950	2810			170	300	250	396	421	288	1106	2832	0.75
	4	3,5	3,91	4350	3350	1500	1975	2875	4450	3310			170	300	250	396	421	316	1134	2894	0.75
	4,5	3,5	3,91	4850	3850	1500	1975	2875	4950	3810			170	300	250	396	421	345	1163	2943	0.75
	5	3,5	3,95	5350	4350	1500	1975	2875	5450	4310			180	300	250	396	421	422	1240	2995	0.75
	5,5	3,5	3,95	5850	4850	1500	1975	2875	5950	4810			180	300	250	396	421	455	1273	3032	0.75
	6	3,5	3,95	6350	5350	1500	1975	2875	6450	5310			180	300	250	396	421	488	1306	3063	0.75
	6,5	3,5	3,95	6850	5850	1500	1975	2875	6950	5810			180	300	250	396	421	521	1339	3091	0.75
	7	3,5	3,95	7350	6350	1500	1975	2875	7450	6310			180	300	250	396	421	554	1372	3116	0.75
	7,5	3,5	3,95	7850	6850	1500	1975	2875	7950	6810			180	300	250	396	421	588	1405	3139	0.75
	8	3,5	3,95	8350	7350	1500	1975	2875	8450	7310			180	300	250	396	421	621	1439	3160	0.75
	8,5	3,5	3,95	8850	7850	1500	1975	2875	8950	7810			180	300	250	396	421	654	1472	3180	0.75
	9	3,5	3,95	9350	8350	1500	1975	2875	9450	8310			180	300	250	396	421	687	1505	3198	0.75
	9,5	3,5	3,95	9850	8850	1500	1975	2875	9950	8810			180	300	250	396	421	720	1538	3215	0.75
	10	3,5	3,95	10350	9350	1500	1975	2875	10450	9310			180	300	250	396	421	753	1571	3232	0.75
	3	4	4,41	3400	2400	2000	2475	3375	3450	2310			170	300	250	442	467	271	1180	2801	0.75
	3,5	4	4,41	3900	2900	2000	2475	3375	3950	2810			170	300	250	442	467	299	1209	2878	0.75
	4	4	4,41	4400	3400	2000	2475	3375	4450	3310			170	300	250	442	467	328	1237	2937	0.75
	4,5	4	4,41	4900	3900	2000	2475	3375	4950	3810			170	300	250	442	467	356	1266	2986	0.75
	5	4	4,45	5400	4400	2000	2475	3375	5450	4310			180	300	250	442	467	434	1343	3036	0.75
	5,5	4	4,45	5900	4900	2000	2475	3375	5950	4810			180	300	250	442	467	467	1376	3070	0.75
	6	4	4,45	6400	5400	2000	2475	3375	6450	5310			180	300	250	442	467	500	1409	3101	0.75
	6,5	4	4,45	6900	5900	2000	2475	3375	6950	5810			180	300	250	442	467	533	1443	3128	0.75
	7	4	4,45	7400	6400	2000	2475	3375	7450	6310			180	300	250	442	467	566	1476	3152	0.75
	7,5	4	4,45	7900	6900	2000	2475	3375	7950	6810			180	300	250	442	467	599	1509	3175	0.75
	8	4	4,45	8400	7400	2000	2475	3375	8450	7310			180	300	250	442	467	632	1542	3195	0.75
	8,5	4	4,45	8900	7900	2000	2475	3375	8950	7810			180	300	250	442	467	666	1575	3214	0.75
	9	4	4,45	9400	8400	2000	2475	3375	9450	8310			180	300	250	442	467	699	1608	3232	0.75
	9,5	4	4,45	9900	8900	2000	2475	3375	9950	8810			180	300	250	442	467	732	1641	3249	0.75
	10	4	4,45	10400	9400	2000	2475	3375	10450	9310			180	300	250	442	467	765	1675	3265	0.75
	3	4,5	4,91	3400	2400	2000	2475	3375	3450	2310			170	300	250	457	482	271	1210	2807	0.75
	3,5	4,5	4,91	3900	2900	2000	2475	3375	3950	2810			170	300	250	457	482	299	1239	2884	0.75
	4	4,5	4,91	4400	3400	2000	2475	3375	4450	3310			170	300	250	457	482	328	1267	2944	0.75
	4,5	4,5	4,91	4900	3900	2000	2475	3375	4950	3810			170	300	250	457	482	356	1296	2992	0.75
	5	4,5	4,95	5400	4400	2000	2475	3375	5450	4310			180	300	250	457	482	434	1373	3042	0.75
	5,5	4,5	4,95	5900	4900	2000	2475	3375	5950	4810			180	300	250	457	482	467	1406	3077	0.75
	6	4,5	4,95	6400	5400	2000	2475	3375	6450	5310			180	300	250	457	482	500	1439	3108	0.75
	6,5	4,5	4,95	6900	5900	2000	2475	3375	6950	5810			180	300	250	457	482	533	1473	3135	0.75
	7	4,5	4,95	7400	6400	2000	2475	3375	7450	6310			180	300	250	457	482	566	1506	3159	0.75
	7,5	4,5	4,95	7900	6900	2000	2475	3375	7950	6810			180	300	250	457	482	599	1539	3182	0.75
	8	4,5	4,95	8400	7400	2000	2475	3375	8450	7310			180	300	250	457	482	632	1572	3202	0.75
	8,5	4,5	4,95	8900	7900	2000	2475	3375	8950	7810			180	300	250	457	482	666	1605	3221	0.75
	9	4,5	4,95	9400	8400	2000	2475	3375	9450	8310			180	300	250	457	482	699	1638	3239	0.75
	9,5	4,5	4,95	9900	8900	2000	2475	3375	9950	8810			180	300	250	457	482	732	1672	3256	0.75
	10	4,5	4,95	10400	9400	2000	2475	3375	10450	9310			180	300	250	457	482	765	1705	3272	0.75
	3	5	5,41	3400	2400	2500	2975	3875	3450	2310			170	300	250	503	528	271	1302	2827	0.75
	3,5	5	5,41	3900	2900	2500	2975	3875	3950	2810			170	300	250	503	528	299	1331	2904	0.75
	4	5	5,41	4400	3400	2500	2975	3875	4450	3310			170	300	250	503	528	328	1359	2964	0.75
	4,5	5	5,41	4900	3900	2500	2975	3875	4950	3810			170	300	250	503	528	356	1388	3012	0.75
	5	5	5,45	5400	4400	2500	2975	3875	5450	4310			180	300	250	503	528	434	1465	3063	0.75
	5,5	5	5,45	5900	4900	2500	2975	3875	5950	4810			180	300	250	503	528	467	1498	3098	0.75
	6	5	5,45	6400	5400	2500	2975	3875	6450	5310			180	300	250	503	528	500	1531	3129	0.75
	6,5	5	5,45	6900	5900	2500	2975	3875	6950	5810											

SWF	Span	HSF	HT	I	II	e	eI	w	u	v	h1	i	Ø1	Ø2	Weight foot 1	Weight foot 2	Weight beam	Weight	Wheel reaction	Engine power	
Kg	m	mm	mm	mm	mm	mm	mm	mm	mm	mm	mm	mm	mm	mm	Kg	Kg	Kg	Kg			
5000	9	5	5,45	9400	8400	2500	2975	3875	9450	8310		180	300	250	503	528	699	1730	3261	0.75	
	9,5	5	5,45	9900	8900	2500	2975	3875	9950	8810		180	300	250	503	528	732	1763	3278	0.75	
	10	5	5,45	10400	9400	2500	2975	3875	10450	9310		180	300	250	503	528	765	1796	3294	0.75	
	3	5,5	5,91	3400	2400	2500	2975	3875	3450	2310	1767,5	170	300	250	518	543	271	1332	2833	0.75	
	3,5	5,5	5,91	3900	2900	2500	2975	3875	3950	2810	1767,5	170	300	250	518	543	299	1361	2911	0.75	
	4	5,5	5,91	4400	3400	2500	2975	3875	4450	3310	1767,5	170	300	250	518	543	328	1389	2971	0.75	
	4,5	5,5	5,91	4900	3900	2500	2975	3875	4950	3810	1767,5	170	300	250	518	543	356	1418	3019	0.75	
	5	5,5	5,95	5400	4400	2500	2975	3875	5450	4310	1767,5	180	300	250	518	543	434	1495	3070	0.75	
	5,5	5,5	5,95	5900	4900	2500	2975	3875	5950	4810	1767,5	180	300	250	518	543	467	1528	3105	0.75	
	6	5,5	5,95	6400	5400	2500	2975	3875	6450	5310	1767,5	180	300	250	518	543	500	1561	3136	0.75	
	6,5	5,5	5,95	6900	5900	2500	2975	3875	6950	5810	1767,5	180	300	250	518	543	533	1594	3163	0.75	
	7	5,5	5,95	7400	6400	2500	2975	3875	7450	6310	1767,5	180	300	250	518	543	566	1628	3188	0.75	
	7,5	5,5	5,95	7900	6900	2500	2975	3875	7950	6810	1767,5	180	300	250	518	543	599	1661	3210	0.75	
	8	5,5	5,95	8400	7400	2500	2975	3875	8450	7310	1767,5	180	300	250	518	543	632	1694	3231	0.75	
	8,5	5,5	5,95	8900	7900	2500	2975	3875	8950	7810	1767,5	180	300	250	518	543	666	1727	3250	0.75	
	9	5,5	5,95	9400	8400	2500	2975	3875	9450	8310	1767,5	180	300	250	518	543	699	1760	3268	0.75	
	9,5	5,5	5,95	9900	8900	2500	2975	3875	9950	8810	1767,5	180	300	250	518	543	732	1793	3285	0.75	
	10	5,5	5,95	10400	9400	2500	2975	3875	10450	9310	1767,5	180	300	250	518	543	765	1827	3301	0.75	
	3	6	6,41	3400	2400	3000	3475	4375	3450	2810	2017,5	170	300	250	564	589	271	1424	2853	0.75	
	3,5	6	6,41	3900	2900	3000	3475	4375	3950	2810	2017,5	170	300	250	564	589	299	1452	2931	0.75	
	4	6	6,41	4400	3400	3000	3475	4375	4450	3310	2017,5	170	300	250	564	589	328	1481	2991	0.75	
	4,5	6	6,41	4900	3900	3000	3475	4375	4950	3810	2017,5	170	300	250	564	589	356	1509	3040	0.75	
	5	6	6,45	5400	4400	3000	3475	4375	5450	4310	2017,5	180	300	250	564	589	434	1587	3091	0.75	
	5,5	6	6,45	5900	4900	3000	3475	4375	5950	4810	2017,5	180	300	250	564	589	467	1620	3126	0.75	
	6	6	6,45	6400	5400	3000	3475	4375	6450	5310	2017,5	180	300	250	564	589	500	1653	3157	0.75	
	6,5	6	6,45	6900	5900	3000	3475	4375	6950	5810	2017,5	180	300	250	564	589	533	1686	3185	0.75	
	7	6	6,45	7400	6400	3000	3475	4375	7450	6310	2017,5	180	300	250	564	589	566	1719	3209	0.75	
	7,5	6	6,45	7900	6900	3000	3475	4375	7950	6810	2017,5	180	300	250	564	589	599	1752	3232	0.75	
	8	6	6,45	8400	7400	3000	3475	4375	8450	7310	2017,5	180	300	250	564	589	632	1786	3253	0.75	
	8,5	6	6,45	8900	7900	3000	3475	4375	8950	7810	2017,5	180	300	250	564	589	666	1819	3272	0.75	
	9	6	6,45	9400	8400	3000	3475	4375	9450	8310	2017,5	180	300	250	564	589	699	1852	3290	0.75	
	9,5	6	6,45	9900	8900	3000	3475	4375	9950	8810	2017,5	180	300	250	564	589	732	1885	3307	0.75	
	10	6	6,45	10400	9400	3000	3475	4375	10450	9310	2017,5	180	300	250	564	589	765	1918	3323	0.75	
	6300	3	3	3,45	3350	2350	1500	1975	2875	3450	2310		180	300	200	398	423	289	1110	3415	0.75
		3,5	3	3,45	3850	2850	1500	1975	2875	3950	2810		180	300	200	398	423	322	1143	3514	0.75
		4	3	3,45	4350	3350	1500	1975	2875	4450	3310		180	300	200	398	423	356	1176	3590	0.75
		4,5	3	3,45	4850	3850	1500	1975	2875	4950	3810		180	300	200	398	423	389	1209	3651	0.75
		5	3	3,45	5350	4350	1500	1975	2875	5450	4310		180	300	200	398	423	422	1242	3702	0.75
		5,5	3	3,45	5850	4850	1500	1975	2875	5950	4810		180	300	200	398	423	455	1275	3745	0.75
		6	3	3,45	6350	5350	1500	1975	2875	6450	5310		180	300	200	398	423	488	1308	3782	0.75
6,5		3	3,5	6850	5850	1500	1975	2875	6950	5810		190	300	200	398	423	521	1341	3822	0.75	
7		3	3,5	7350	6350	1500	1975	2875	7450	6310		190	300	200	398	423	636	1457	3863	0.75	
7,5		3	3,5	7850	6850	1500	1975	2875	7950	6810		190	300	200	398	423	675	1495	3891	0.75	
8		3	3,5	8350	7350	1500	1975	2875	8450	7310		190	300	200	398	423	714	1534	3916	0.75	
8,5		3	3,5	8850	7850	1500	1975	2875	8950	7810		190	300	200	398	423	753	1573	3940	0.75	
9		3	3,44	9350	8350	1500	1975	2875	9450	8310		300	300	200	398	423	1230	2050	4066	0.75	
9,5		3	3,44	9850	8850	1500	1975	2875	9950	8810		300	300	200	398	423	1293	2113	4093	0.75	
10		3	3,44	10350	9350	1500	1975	2875	10450	9310		300	300	200	398	423	1355	2175	4118	0.75	
3		3,5	3,95	3400	2400	1500	1975	2875	3450	2310		180	300	200	413	438	301	1151	3458	0.75	
3,5		3,5	3,95	3900	2900	1500	1975	2875	3950	2810		180	300	200	413	438	334	1184	3522	0.75	
4		3,5	3,95	4400	3400	1500	1975	2875	4450	3310		180	300	200	413	438	367	1218	3625	0.75	
4,5		3,5	3,95	4900	3900	1500	1975	2875	4950	3810		180	300	200	413	438	400	1251	3683	0.75	
5		3,5	3,95	5400	4400	1500	1975	2875	5450	4310		180	300	200	413	438	434	1284	3732	0.75	
5,5		3,5	3,95	5900	4900	1500	1975	2875	5950	4810		180	300	200	413	438	467	1317	3773	0.75	
6		3,5	3,95	6400	5400	1500	1975	2875	6450	5310		180	300	200	413	438	500	1350	3809	0.75	
6,5		3,5	4	6900	5900	1500	1975	2875	6950	5810		190	300	200	413	438	610	1460	3858	0.75	
7		3,5	4	7400	6400	1500	1975	2875	7450	6310		190	300	200	413	438	649	1499	3888	0.75	
7,5		3,5	4	7900	6900	1500	1975	2875	7950	6810		190	300	200	413	438	687	1538	3915	0.75	
8		3,5	4	8400	7400	1500	1975	2875	8450	7310		190	300	200	413	438	726	1577	3939	0.75	
8,5		3,5	4	8900	7900	1500	1975	2875	8950	7810		190	300	200	413	438	765	1615	3962	0.75	
9		3,5	3,94	9400	8400	1500	1975	2875	9450	8310		300	300	200	413	438	1245	2095	4089	0.75	
9,5		3,5	3,94	9900	8900	1500	1975	2875	9950	8810		300	300	200	413	438	1307	2158	4115	0.75	
10		3,5	3,94	10400	9400	1500	1975	2875	10450	9310		300	300	200	413	438	1370	2220	4140	0.75	
3		4	4,45	3400	2400	2000	2475	3375	3450	2310		180	300	200	459	484	301	1243	3477	0.75	
3,5		4	4,45	3900	2900	2000	2475	3375	3950	2810		180	300	200	459	484	334	1276	3572	0.75	
4		4	4,45	4400	3400	2000	2475	3375	4450	3310		180	300	200	459	484	367	1309	3645	0.75	
4,5		4	4,45	4900	3900	2000	2475	3375	4950	3810		180	300	200	459	484	400	1343	3704	0.75	
5		4	4,45	5400	4400	2000	2475	3375	5450	4310		180	300	200	459	484	434	1376	3753	0.75	
5,5		4	4,45	5900	4900	2000	2475	3375	5950	4810		180	300	200	459	484	467	1409	3794	0.75	
6		4	4,45	6400	5400	2000	2475	3375	6450												

SWF	Span	HSF	HT	l	l1	e	e1	w	u	v	h1	i	Ø 1	Ø 2	Weight foot 1	Weight foot 2	Weight beam	Weight	Wheel reaction	Engineer power
Kg	m	mm	mm	mm	mm	mm	mm	mm	mm	mm	mm	mm	mm	mm	Kg	Kg	Kg	Kg		
	7,5	4	4,5	7900	6900	2000	2475	3375	7950	6810		190	300	200	459	484	687	1630	3936	0,75
	8	4	4,5	8400	7400	2000	2475	3375	8450	7310		190	300	200	459	484	726	1668	3961	0,75
	8,5	4	4,5	8900	7900	2000	2475	3375	8950	7810		190	300	200	459	484	765	1707	3984	0,75
	9	4	4,44	9400	8400	2000	2475	3375	9450	8310		300	300	200	459	484	1245	2187	4110	0,75
	9,5	4	4,44	9900	8900	2000	2475	3375	9950	8810		300	300	200	459	484	1307	2249	4137	0,75
	10	4	4,44	10400	9400	2000	2475	3375	10450	9310		300	300	200	459	484	1370	2312	4162	0,75
	3	4,5	4,95	3400	2400	2000	2475	3375	3450	2310		180	300	200	474	499	301	1273	3484	0,75
	3,5	4,5	4,95	3900	2900	2000	2475	3375	3950	2810		180	300	200	474	499	334	1306	3579	0,75
	4	4,5	4,95	4400	3400	2000	2475	3375	4450	3310		180	300	200	474	499	367	1339	3652	0,75
	4,5	4,5	4,95	4900	3900	2000	2475	3375	4950	3810		180	300	200	474	499	400	1373	3711	0,75
	5	4,5	4,95	5400	4400	2000	2475	3375	5450	4310		180	300	200	474	499	434	1406	3760	0,75
	5,5	4,5	4,95	5900	4900	2000	2475	3375	5950	4810		180	300	200	474	499	467	1439	3801	0,75
	6	4,5	4,95	6400	5400	2000	2475	3375	6450	5310		180	300	200	474	499	500	1472	3837	0,75
	6,5	4,5	5	6900	5900	2000	2475	3375	6950	5810		190	300	200	474	499	610	1582	3886	0,75
	7	4,5	5	7400	6400	2000	2475	3375	7450	6310		190	300	200	474	499	649	1621	3916	0,75
	7,5	4,5	5	7900	6900	2000	2475	3375	7950	6810		190	300	200	474	499	687	1660	3943	0,75
	8	4,5	5	8400	7400	2000	2475	3375	8450	7310		190	300	200	474	499	726	1698	3968	0,75
	8,5	4,5	5	8900	7900	2000	2475	3375	8950	7810		190	300	200	474	499	765	1737	3991	0,75
	9	4,5	4,94	9400	8400	2000	2475	3375	9450	8310		300	300	200	474	499	1245	2217	4118	0,75
	9,5	4,5	4,94	9900	8900	2000	2475	3375	9950	8810		300	300	200	474	499	1307	2279	4144	0,75
	10	4,5	4,94	10400	9400	2000	2475	3375	10450	9310		300	300	200	474	499	1370	2342	4169	0,75
	3	5	5,45	3400	2400	2500	2975	3875	3450	2310		180	300	200	519	544	301	1365	3503	0,75
	3,5	5	5,45	3900	2900	2500	2975	3875	3950	2810		180	300	200	519	544	334	1398	3559	0,75
	4	5	5,45	4400	3400	2500	2975	3875	4450	3310		180	300	200	519	544	367	1431	3672	0,75
	4,5	5	5,45	4900	3900	2500	2975	3875	4950	3810		180	300	200	519	544	400	1464	3731	0,75
	5	5	5,45	5400	4400	2500	2975	3875	5450	4310		180	300	200	519	544	434	1498	3780	0,75
	5,5	5	5,45	5900	4900	2500	2975	3875	5950	4810		180	300	200	519	544	467	1531	3822	0,75
	6	5	5,45	6400	5400	2500	2975	3875	6450	5310		180	300	200	519	544	500	1564	3858	0,75
	6,5	5	5,5	6900	5900	2500	2975	3875	6950	5810		190	300	200	519	544	610	1674	3908	0,75
	7	5	5,5	7400	6400	2500	2975	3875	7450	6310		190	300	200	519	544	649	1713	3938	0,75
	7,5	5	5,5	7900	6900	2500	2975	3875	7950	6810		190	300	200	519	544	687	1751	3965	0,75
	8	5	5,5	8400	7400	2500	2975	3875	8450	7310		190	300	200	519	544	726	1790	3990	0,75
	8,5	5	5,5	8900	7900	2500	2975	3875	8950	7810		190	300	200	519	544	765	1829	4013	0,75
	9	5	5,44	9400	8400	2500	2975	3875	9450	8310		300	300	200	519	544	1245	2309	4139	0,75
	9,5	5	5,44	9900	8900	2500	2975	3875	9950	8810		300	300	200	519	544	1307	2371	4166	0,75
	10	5	5,44	10400	9400	2500	2975	3875	10450	9310		300	300	200	519	544	1370	2434	4191	0,75
	3	5,5	5,95	3400	2400	2500	2975	3875	3450	2310	1767,5	180	300	200	535	560	301	1395	3509	0,75
	3,5	5,5	5,95	3900	2900	2500	2975	3875	3950	2810	1767,5	180	300	200	535	560	334	1428	3605	0,75
	4	5,5	5,95	4400	3400	2500	2975	3875	4450	3310	1767,5	180	300	200	535	560	367	1461	3679	0,75
	4,5	5,5	5,95	4900	3900	2500	2975	3875	4950	3810	1767,5	180	300	200	535	560	400	1494	3738	0,75
	5	5,5	5,95	5400	4400	2500	2975	3875	5450	4310	1767,5	180	300	200	535	560	434	1528	3787	0,75
	5,5	5,5	5,95	5900	4900	2500	2975	3875	5950	4810	1767,5	180	300	200	535	560	467	1561	3829	0,75
	6	5,5	5,95	6400	5400	2500	2975	3875	6450	5310	1767,5	180	300	200	535	560	500	1594	3865	0,75
	6,5	5,5	6	6900	5900	2500	2975	3875	6950	5810	1767,5	190	300	200	535	560	610	1704	3915	0,75
	7	5,5	6	7400	6400	2500	2975	3875	7450	6310	1767,5	190	300	200	535	560	649	1743	3945	0,75
	7,5	5,5	6	7900	6900	2500	2975	3875	7950	6810	1767,5	190	300	200	535	560	687	1782	3972	0,75
	8	5,5	6	8400	7400	2500	2975	3875	8450	7310	1767,5	190	300	200	535	560	726	1820	3997	0,75
	8,5	5,5	6	8900	7900	2500	2975	3875	8950	7810	1767,5	190	300	200	535	560	765	1859	4020	0,75
	9	5,5	5,94	9400	8400	2500	2975	3875	9450	8310	1767,5	300	300	200	535	560	1245	2339	4146	0,75
	9,5	5,5	5,94	9900	8900	2500	2975	3875	9950	8810	1767,5	300	300	200	535	560	1307	2401	4173	0,75
	10	5,5	5,94	10400	9400	2500	2975	3875	10450	9310	1767,5	300	300	200	535	560	1370	2464	4198	0,75
	3	6	6,45	3400	2400	3000	3475	4375	3450	2310	2017,5	180	300	200	580	605	301	1487	3529	0,75
	3,5	6	6,45	3900	2900	3000	3475	4375	3950	2810	2017,5	180	300	200	580	605	334	1520	3625	0,75
	4	6	6,45	4400	3400	3000	3475	4375	4450	3310	2017,5	180	300	200	580	605	367	1553	3699	0,75
	4,5	6	6,45	4900	3900	3000	3475	4375	4950	3810	2017,5	180	300	200	580	605	400	1586	3759	0,75
	5	6	6,45	5400	4400	3000	3475	4375	5450	4310	2017,5	180	300	200	580	605	434	1619	3808	0,75
	5,5	6	6,45	5900	4900	3000	3475	4375	5950	4810	2017,5	180	300	200	580	605	467	1652	3850	0,75
	6	6	6,45	6400	5400	3000	3475	4375	6450	5310	2017,5	180	300	200	580	605	500	1686	3886	0,75
	6,5	6	6,5	6900	5900	3000	3475	4375	6950	5810	2017,5	190	300	200	580	605	610	1796	3936	0,75
	7	6	6,5	7400	6400	3000	3475	4375	7450	6310	2017,5	190	300	200	580	605	649	1834	3966	0,75
	7,5	6	6,5	7900	6900	3000	3475	4375	7950	6810	2017,5	190	300	200	580	605	687	1873	3993	0,75
	8	6	6,5	8400	7400	3000	3475	4375	8450	7310	2017,5	190	300	200	580	605	726	1912	4018	0,75
	8,5	6	6,5	8900	7900	3000	3475	4375	8950	7810	2017,5	190	300	200	580	605	765	1951	4042	0,75
	9	6	6,44	9400	8400	3000	3475	4375	9450	8310	2017,5	300	300	200	580	605	1245	2430	4168	0,75
	9,5	6	6,44	9900	8900	3000	3475	4375	9950	8810	2017,5	300	300	200	580	605	1307	2493	4195	0,75
	10	6	6,44	10400	9400	3000	3475	4375	10450	9310	2017,5	300	300	200	580	605	1370	2555	4220	0,75

6300







