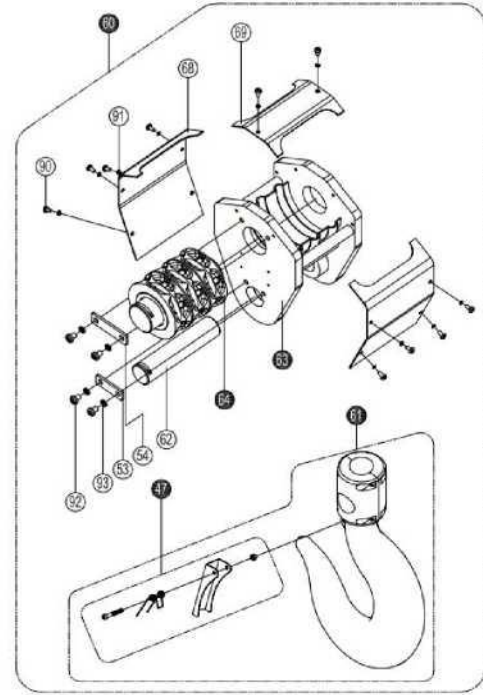
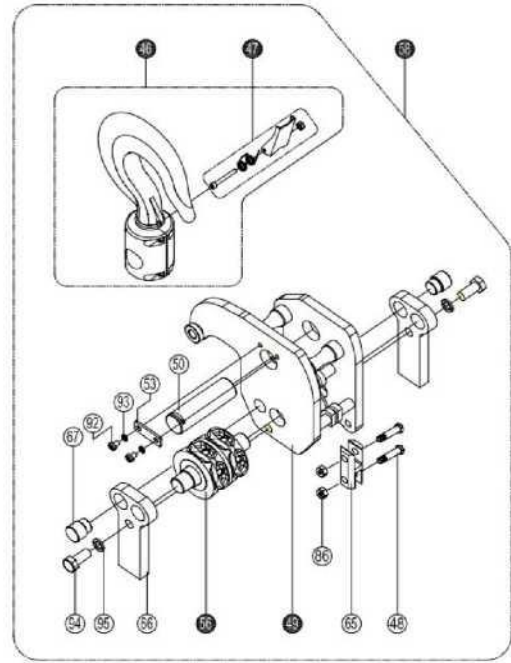
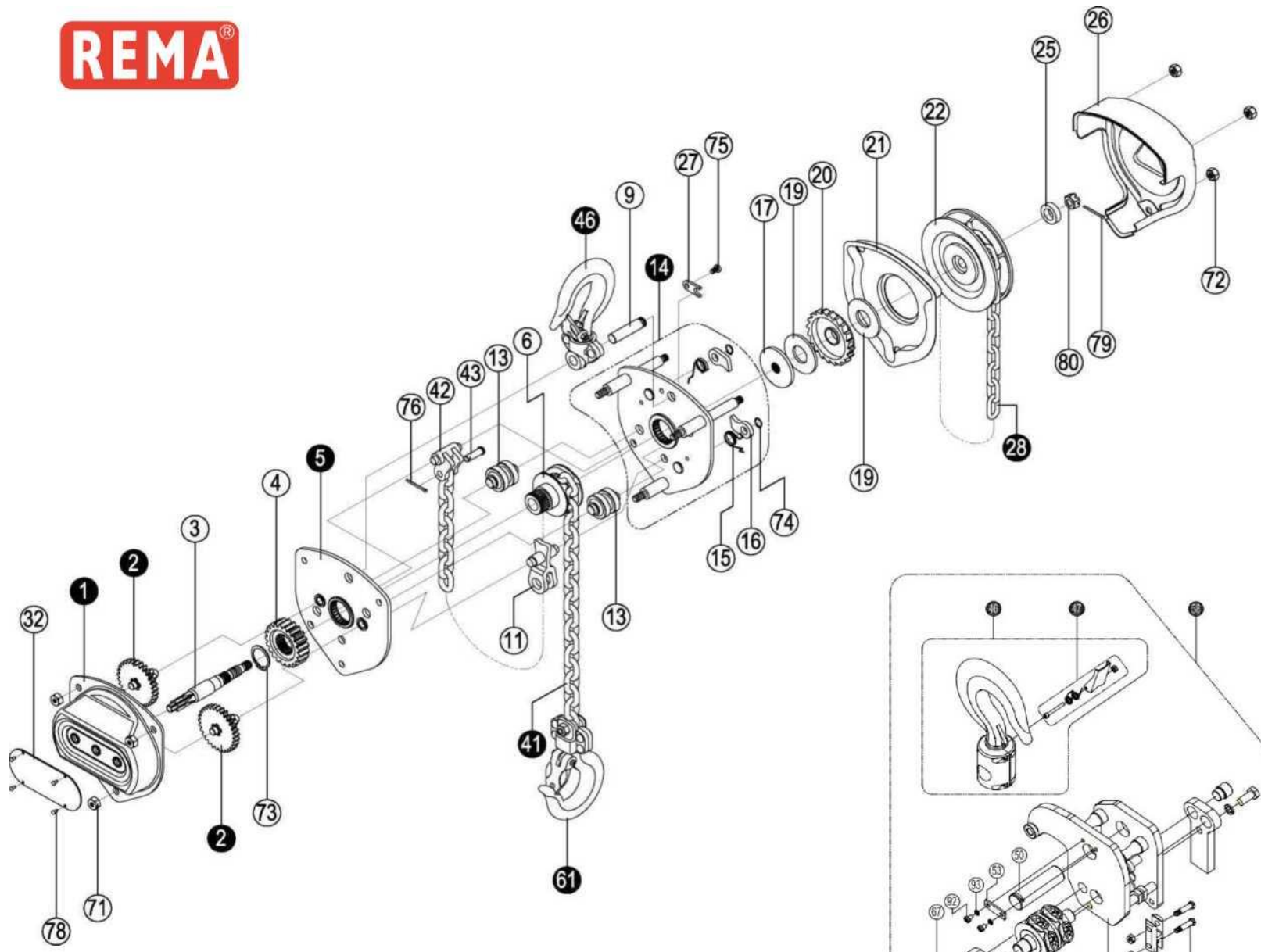


REMA[®]





Part number	Description	Prod.Id.
1	S200-20/50-1 GEAR COVER ASSY	4362401
2	S200-20/50-2 DISC GEAR ASSY	4362402
3	S200-20/50-3 DRIVE SHAFT	4362403
4	S200-20/50-4 SPLINED GEAR	4362404
5	S200-20/50-5 RIGHT SIDE PLATE ASSY	4362405
6	S200-20/50-6 LOAD CHAIN SPROCKET	4362406
9	S200-20/50-9 TOP HOOK SHAFT	4362409
11	S200-20/50-11 CHAIN STRIPPER	4362411
13	S200-20/50-13 GUIDE ROLLER	4362413
14	S200-20/50-14 LEFT SIDE PLATE ASSY	4362414
15	S200-20/50-15 PAWL SPRING	4362415
16	S200-20/50-16 PAWL	4362416
17	S200-20/50-17 BRAKE SEAT	4362417
19	S200-20/50-19 FRICTION PLATE	4362419
20	S200-20/50-20 RATCHET WHEEL	4362420
21	S200-20/50-21 BRAKE COVER	4362421
22	S200-20/50-22 HAND CHAIN WHEEL	4362422
25	S200-20/50-25 WASHER	4362425
26	S200-20/50-26 HAND CHAIN COVER	4362426
27	S200-20/50-27 POSITIONED PLATE	4362427
32	S200-20T-32 NAMEPLATE	
42	S200-20/50-42 END ANCHOR	4362442
43	S200-20/50-43 END ANCHOR PIN	4362443
47	S200-20T-47 SAFETY LATCH ASSY	4362947
64	S200-500-64 IDLER SHEAVE ASSY	4362664
71	S200-20/50-71 METAL LOCK NUT M10	4362471
72	S200-20/50-72 METAL LOCK NUT M8	4362472
73	S200-20/50-73 CIRCLIP 30	4362473
74	S200-20/50-74 CIRCLIP 10	4362474
75	S200-20/50-75 CROSS HEAD SCREW M6X8	4362475
76	S200-20/50-76 SPLIT PIN 2.5X25	4362476
78	S200-20/50-78 NAMEPLATE RIVET 2.5X6	4362478
79	S200-20/50-79 SPLIT PIN 2.5 X25	4362479
80	S200-20/50-80 HEXAGON RECESS NUT M12	4362480