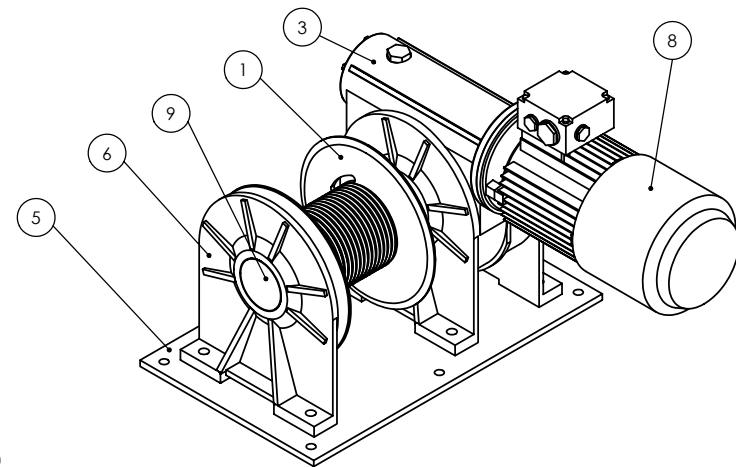


B (1 : 2)



ITEM NO.	QTY.	PART	DESCRIPTION	DIMENSIONS	MAT.
1	1	BAS00	Weld assembly drum		--
2	1	AAS02	Ring	54x6	C45
3	1	RMI110S160-24	wormgearbox		
4	1	AAS01	Strip 30x10	50x30x10	S235
5	1	AAS03	Baseplate	325x540x10	S235
6	1	RMI110S	RMI Foot	--	--
7	1	6012-2RS	Bearing 6012	60x95x18	--
8	1	IEC90-4	Electromotor		
9	1	VK75	Cover	Ø75	--

REV.	DRAWN	NN	NN	DESCRIPTION	DATE
				--	30-11-2009

Remarks: Lifting force: 580 kg 3rd layer
speed: 5.7m/min 1st layer
25m/Ø7mm/3 layers

Scale = 1:5

Mass = -- Kg.

Not marked measurements by ISO 2748-M

0.5 unH	3 ±0.1	120 unH	400 ±0.5
3 unH	6 ±0.15	400 unH	1000 ±0.8
6 unH	30 ±0.2	1000 unH	2000 ±1.2
30 unH	120 ±0.3	2000 unH	4000 ±2.0

Material: --

Name: Winch EHL-580

Units: mm. / deg.

The information this drawing contains are reserved to Rema Holland b.v. Any way of reproduction without written permission is not allowed.

www.rema.eu

REMA

Drawingnr. AAS00

Projectnr. EHL-580

Stage:

Sheet 01

A2